

# 268K/272K

## Operator's Manual



Read through the Operator's Manual carefully and understand the contents before you use the power cutter.

# SYMBOL EXPLANATION

## Symbols on the power cutter:



WARNING! The power cutter can be dangerous! Careless and incorrect use can result in serious, even fatal injury.



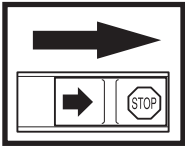
Read through the Operator's Manual carefully and understand the contents before you use the power cutter.



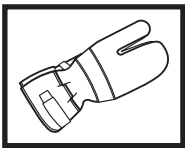
Always use:

- A protective helmet
- Ear protection
- Protective glasses or full face protection

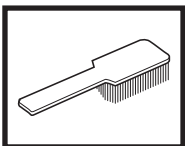
## Symbols in the Operator's Manual:



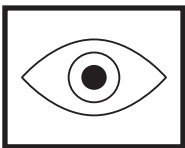
Checks and/or maintenance shall be carried out with the engine switched off, with the stop switch in the "STOP" position.



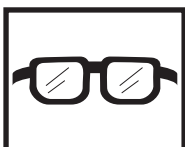
Always wear protective gloves.



Regular cleaning required.



Ocular control.



Protective glasses or visor must be used.

# CONTENTS

## Before using your new Power cutter

- Read the Operator's Manual carefully.
- Check the assembly and adjustment of the cutting disc, see chapter "Assembly".
- Start the engine and check the carburettor settings. See chapter "Maintenance", section "Carburettor". When adjusted correctly the cutting disc should not rotate when idling. Setting the idling speed is described in the Operator's Manual. Adjust the speed according to these instructions. Do not use the power cutter if the idling speed is not correctly adjusted!
- Let your Husqvarna dealer check the power cutter and carry out essential adjustments and repairs.



### WARNING!

Under no circumstances may the original design of a power cutter be modified without the written permission of the manufacturer. Unauthorised modifications can result in safety be jeopardised.

**IMPORTANT INFORMATION!** A too lean carburettor adjustment significantly increases the risk of an engine breakdown. Insufficient care of the air filter will cause deposits on the spark plug resulting in abnormal wear to engine parts.



### WARNING

The engine exhaust from this product contains chemicals known to the State of California to cause cancer, birth defects or other reproductive harm.

## List of Contents

<b>Symbol explanation</b> .....	2
<b>Safety instructions</b>	
Personal safety equipment .....	4
The power cutter's safety equipment .....	4
Control, maintenance and service of the machine's safety equipment .....	5
General safety instructions .....	6
Transport and storage .....	6
Fuel safety .....	7
General working instructions .....	7
Cutting .....	7
Kickback .....	8
Care and storage .....	9
Cutting discs and blades .....	10
Abrasive discs .....	10
Cutting discs .....	11
Diamond discs .....	11
<b>What is what?</b>	
What is what on a power cutter? .....	12
<b>Assembly</b>	
Fitting the cutting head .....	13
Checking the drive shaft and flanges .....	13
Fitting the cutting disc .....	13
<b>Fuel handling</b>	
Fuel mixture .....	14
Fuelling .....	14
<b>Start and stop</b>	
Start and stop .....	15
<b>Maintenance</b>	
Adjusting the drive belt .....	16
Changing the drive belt .....	16
Carburettor .....	17
Fuel filter .....	18
Air filter .....	18
Starter .....	19
Spark plug .....	20
Silencer .....	20
Cooling system .....	20
Daily maintenance .....	21
Weekly maintenance .....	21
Monthly maintenance .....	21
<b>Technical Data</b>	
268 K .....	22
272 K .....	22

# SAFETY INSTRUCTIONS



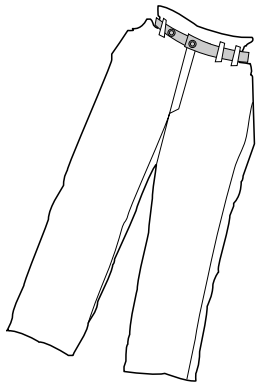
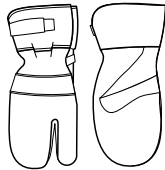
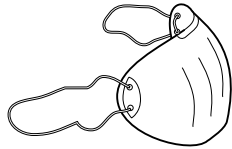
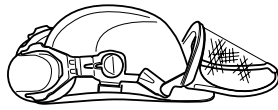
**WARNING!** Incorrect or careless use of a power cutter can turn it into a dangerous tool that can cause serious or even fatal injury. It is extremely important that you read and understand this manual.

## PERSONAL SAFETY EQUIPMENT



**WARNING!** When using a power cutter, safety equipment approved by the appropriate authorities must be used. Personal safety equipment does not eliminate the risk of accidents, however, it can reduce the effects of an injury in the event of an accident. Ask your dealer for help when choosing safety equipment.

- HELMET
- EAR PROTECTION
- PROTECTIVE GLASSES OR FULL FACE PROTECTION
  
- BREATHING MASK
  
- HEAVY-DUTY, FIRM GRIP GLOVES
  
- HEAVY-DUTY, COMFORTABLE CLOTHING THAT ALLOWS FULL FREEDOM OF MOVEMENT
- LEG PROTECTION (TO PROTECT AGAINST SPARKS AND CUTTING FRAGMENTS)
  
- ANTI-SLIP BOOTS WITH STEEL TOE CAPS
  
- FIRST AID KIT SHOULD ALWAYS BE ON HAND



## THE POWER CUTTER'S SAFETY EQUIPMENT

This section describes the power cutter's safety equipment, its function and how checks and maintenance are carried out to ensure that it operates correctly. (See the chapter "What is what" to locate where this equipment is positioned on your power cutter.)

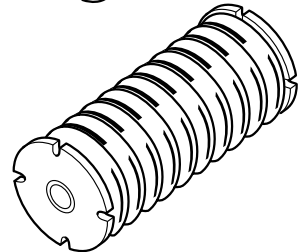
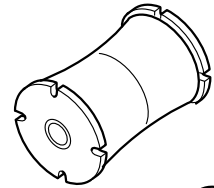
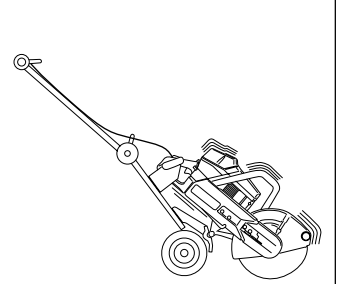


**WARNING!** Never use a power cutter with defective safety equipment. Follow the control, maintenance and service instructions described in this manual.

### 1 Anti-vibration system

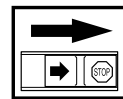
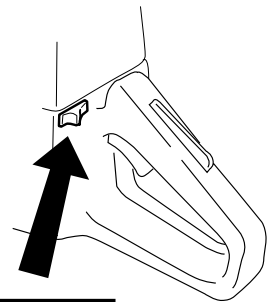
Your power cutter is equipped with an anti-vibration system. This is designed to give as low vibration levels and comfortable usage as possible.

The power cutter's anti-vibration system reduces the transfer of vibration between the engine/cutting equipment and the cutting trolley. The engine body including the cutting equipment is suspended in a handle system via anti-vibration elements.



### 2 Stop switch

The stop switch should be used to stop the engine.



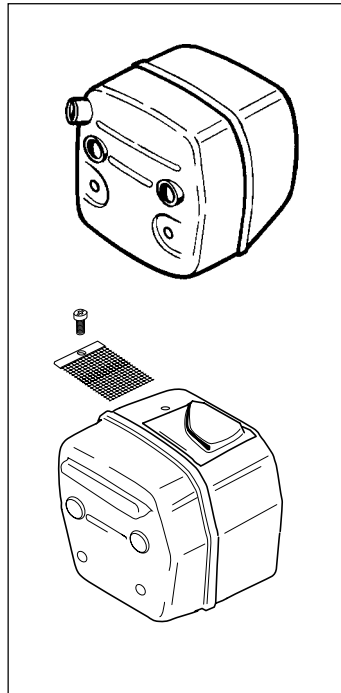
# SAFETY INSTRUCTIONS

## 3 Silencer



**WARNING!** During use and for some time after the silencer is very hot. Do not touch the silencer if it is hot!

The silencer is designed to give the lowest possible noise level and to direct the engine's exhaust fumes away from the user. The engine's exhaust fumes are hot and can contain sparks, which can lead to the outbreak of fire.



In countries that have a warm and dry climate the risk of forest fires is obvious. We have therefore fitted certain silencers with a spark arrest screen. Make sure that your silencer is fitted with this kind of screen.

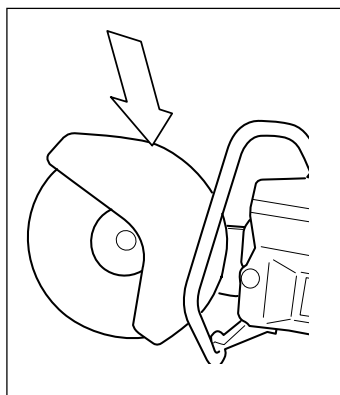
**IMPORTANT INFORMATION!** It is extremely important that the instructions for checking, maintaining and servicing the silencer are followed. (see the section "Control, maintenance and service of the power cutter's safety equipment").

## 4 Disc guard for the cutting disc



**WARNING!** Always check that the disc guard is correctly fitted before starting the machine.

The disc guard is mounted above the cutting disc and prevents cutting fragments from being thrown towards the user.



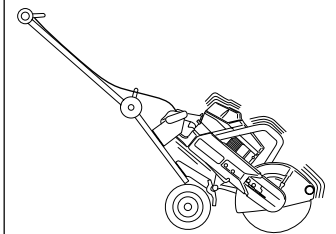
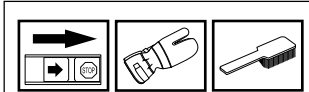
## Control, maintenance and service of the machine's safety equipment



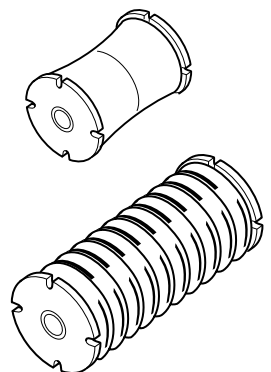
**WARNING!** All service and repairs to the power cutter require special training. This applies especially to the power cutter's safety equipment. If the power cutter does not meet any of the controls listed below you should contact your service workshop. The purchase of one of our products guarantees that professional repair and servicing will be carried out on it. If the point of purchase is not one of our servicing dealers, please ask for details of the closest service workshop.

### 1 Anti-vibration system

Check the anti-vibration elements regularly for material cracks and deformation.

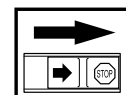
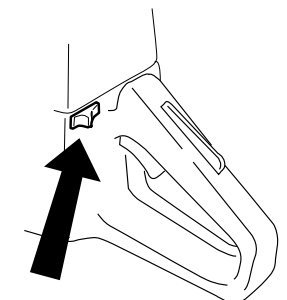
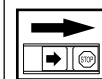


Check that the anti-vibration elements are securely mounted between the engine unit and the handle system.



### 2 Stop switch

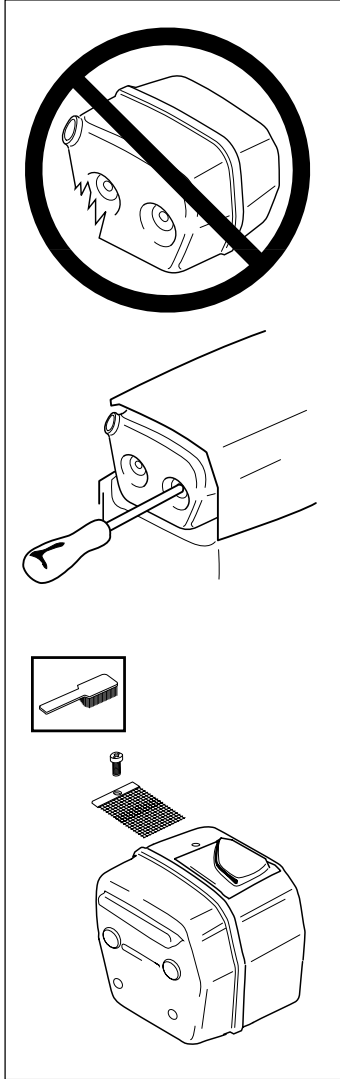
Start the engine and make sure that the engine stops when the stop switch is moved to the stop position.



# SAFETY INSTRUCTIONS

## 3 Silencer

Never use a machine that has a defective silencer.

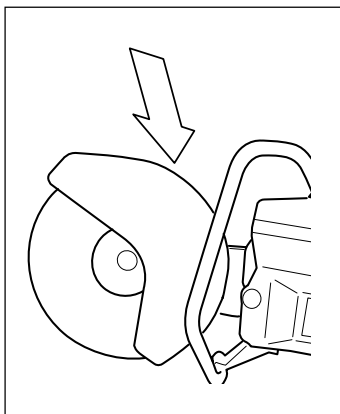


Check regularly that the silencer is secured to the engine body.

If your silencer is fitted with a spark arrest screen then it should be cleaned regularly. A blocked screen leads to the engine overheating with serious damage as a result. **Never use a silencer with a defective spark arrest screen.**

## 4 Disc guard for the cutting disc

Never use a defective disc guard or a disc guard that is not fitted correctly.



**WARNING!** Check that the cutting disc is fitted correctly and does not show signs of damage. A damaged cutting disc can cause personal injury.



**WARNING!** Never use a power cutter with defective safety equipment. The power cutter's safety equipment should be checked and maintained as described in this Operator's Manual. If your power cutter does not meet any of these controls you should contact your service workshop.

## GENERAL SAFETY INSTRUCTIONS

### IMPORTANT INFORMATION!

Do not use the power cutter until you have read the entire contents of this Operator's Manual. All servicing, in addition to the points listed in the section "Control, maintenance and service of the power cutter's safety equipment", should be carried out by trained service specialists.

- Use the equipment recommended in the chapter "Personal safety equipment".
- Never use the machine when you are tired, under the influence of medicines/drugs or alcohol.
- Do not lend the power cutter to anyone without providing this Operator's Manual. Ensure the person using the power cutter understands the information in this Operator's Manual.

### Transport and storage

- Store the power cutter under lock and key so that it's out of reach for children and unauthorised persons.
- Do not store or transport the power cutter with the cutting disc fitted.

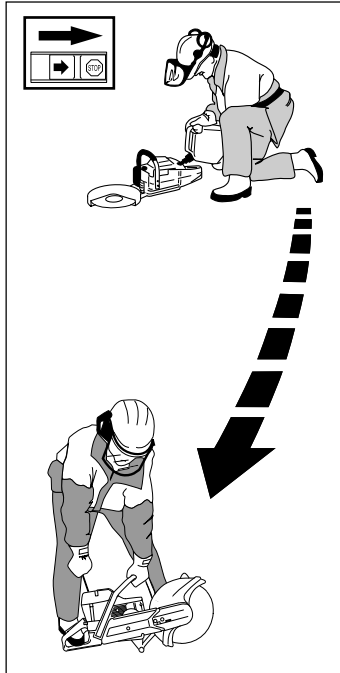
# SAFETY INSTRUCTIONS

## Fuel safety (Filling/Fuel mixture/Storage)



**WARNING! Exercise great care when handling fuel. Bear in mind the risk of fire, explosions and inhaling fumes.**

- Never fill the machine while the engine is running.
- Provide good ventilation when filling or mixing fuel (petrol and 2-stroke oil).
- Move the machine at least 3 m from the filling position before starting.
- Never start the machine:
  - a) If you have spilt fuel on it. Wipe up all spillage.
  - b) If you have spilt fuel on yourself or your clothes. Change your clothes.
  - c) If there is a fuel leak. Make regular checks for leakage from the fuel cap and the fuel supply pipes.
- Store the power cutter and fuel so that any leakage or fumes do not risk coming into contact with sparks or naked flames. For example, electric machines, electric motors, electrical switches/power switches, heaters or the like.
- When storing fuel, approved containers intended for this purpose must be used.
- When storing the power cutter for long periods the fuel tank must be emptied. Contact your local petrol station to find out how to dispose of excess fuel.



## GENERAL WORKING INSTRUCTIONS

This section takes up the basic safety precautions for working with the power cutter. Follow these general working instructions, but never use a machine without the possibility of calling for help in the event of an accident.

### Basic safety precautions

**IMPORTANT INFORMATION! Never work with a power cutter that is defective or incorrectly adjusted. Do not work with a power cutter that is incomplete or where assembly has not been carried out in a satisfactory manner. Check that the cutting disc stops rotating when the throttle is released. If you encounter a situation where you are uncertain how to proceed you should ask an expert. Avoid all usage which you consider to be beyond your capability.**

- Check that no one is in the immediate vicinity when the machine is started or while working with the machine to ensure that people, animals or other things cannot affect your control of the power cutter.
- Avoid usage in unfavourable weather conditions, for example, thick fog, heavy rain, strong winds or extreme cold, etc. To work in bad weather conditions is tiring and can create dangerous circumstances, e.g. slippery surfaces.
- Never start to work with the power cutter before the working area is clear and you have a firm foothold. Look out for any obstacles with unexpected movement (roots, stones, branches, pits, ditches, etc.). Take great care when working on sloping ground.
- Make sure clothing and parts of the body do not come into contact with the cutting disc when the engine is started.
- Maintain a safe distance from the cutting disc when the engine is running.
- The disc guard should always be fitted when the engine is running.



**Only use the machine in areas with good ventilation. Neglect can result in serious injury or death.**

### Cutting



**WARNING! A safe distance from the power cutter is 15 metres. You are responsible that animals and onlookers are not in the working area. Do not start to work with the power cutter before the working area is clear and you have a firm foothold.**

- Start cutting with the engine at full throttle.
- Always hold the power cutter firmly, with both hands. Hold the machine so that the thumb and fingers grip around the handle.

# SAFETY INSTRUCTIONS

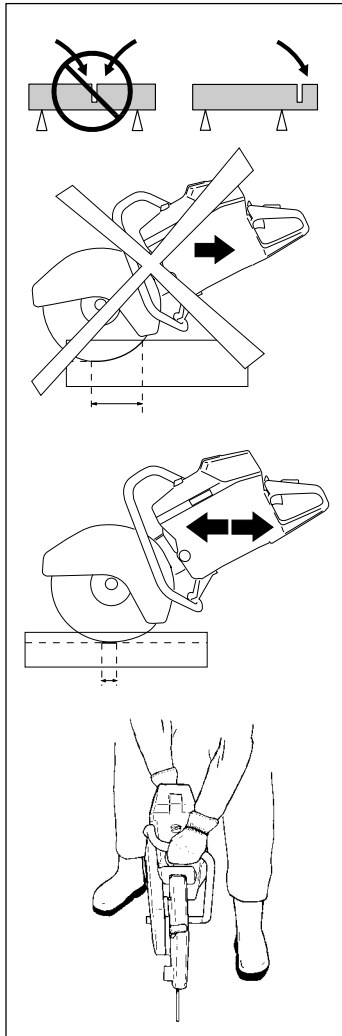


Over exposure to vibrations can result in blood-vessel or nerve injury to persons suffering with blood circulation problems. Seek medical attention if you experience physical symptoms that can be related to over exposure to vibrations. Examples of such symptoms are numbness, lack of feeling, "tickling", "pricking", pain lack of or a reduction in normal strength, changes in the colour of the skin or its surfaces. These symptoms normally appear in the fingers, hands or wrists.

## Cutting technique

The technique described below is of a general character. Check information for each disc regarding individual cutting characteristics. (For example, a diamond disc requires less feeding pressure than a abrasive disc).

1. Support the work piece in such away that you can predict what will happen and so it will not pinch.
2. Always cut at full throttle.
3. Start cutting gently, do not force or squeeze the disc in.
4. Use a high disc speed.
5. Move the disc slowly backwards and forwards.
6. Use a small part of the disc's cutting edge.
7. Only use the disc's cutting edge when cutting.
8. Cut with the disc fully vertical – at right angles to the work piece.



**WARNING!** Under all circumstances avoid cutting using the side of the disc; it will almost certainly be damaged, break and can cause immense damage. Only use the cutting section.



**WARNING!** Do not lean the disc to the side, this can cause the disc to jam or break with personal injury as a consequence.

## Water cooling



**WARNING!** Water cooling, which is only used for petrol-driven power cutters and when cutting concrete, cools the cutting disc and increases its service life as well as reduce dust formation (see the section "Abrasive discs"). Among the disadvantages are difficulties at very low temperatures and the risk of damaging the floor and other sections of the building.

## Sharpening discs

Discs can become dull when the wrong feeding pressure is used or when cutting some materials such as heavily reinforced concrete. To force a dull disc results in overheating and finally the loss of segments (part of the disc).

Sharpen against a soft material such as sandstone, silica or haydite brick.

## Disc vibration

The disc can become out of shape (not round) and vibrate if a too high feeding pressure is used or if the disc is pressed into the work piece.

A lower feeding pressure ought to stop the vibration. Otherwise replace the cutting disc.

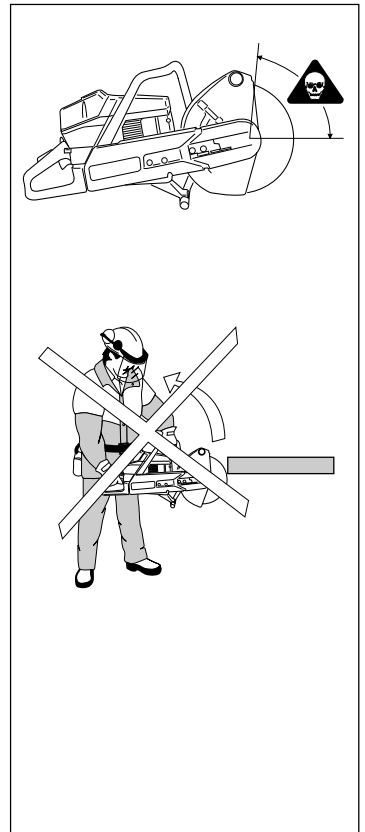
## Kickback

Kickback can occur very suddenly and with great force. If the following directives are not followed, it can result in serious or even fatal injury.

If the sector of the disc illustrated below is used for cutting the disc can start to climbing and kickback the power cutter upwards and backwards towards the user with immense force.

## How to avoid kickback

1. Never cut with the segment illustrated in the diagram.
2. Keep a good balance and a firm foothold.
3. Use both hands and take a firm grip with the thumb and fingers around the handle.
4. Keep the work piece at a comfortable distance.
5. Use the cutter at full throttle.
6. Take care when inserting the disc in an existing cut.
7. Never cut above shoulder height.
8. Be alert to movement of the work piece or anything else that can occur, which could cause the cut to close and pinch the disc.





# SAFETY INSTRUCTIONS

## Pull in

Pull in occurs when the lower part of the disc is suddenly stopped or when the cut closes. (To avoid this see the section "How to avoid kickback" and "Pinching/rotation" below).

## Pinching/rotation

Pinching occurs when the cut closes. The power cutter can be drawn suddenly and powerfully downwards.

## How to avoid pinching

Support the work piece in such a way that the cut remains open during the cutting operation and when the cut is finished.

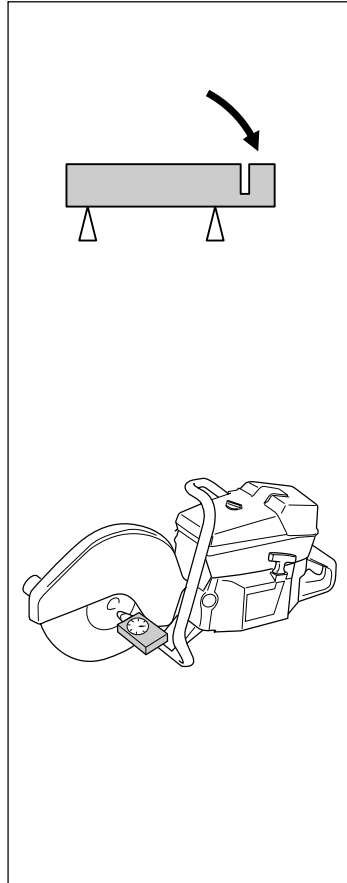
## Drying the disc

After using the disc with water cooling, let the cutter run for approx. half a minute so that the disc dries.

If a damp disc is stored it can become unbalance and cause damage.

## Check the speed of the drive shaft

Use a tachometer regularly to check the speed of the drive shaft when the cutter is running at working temperature and at full throttle without a load. The maximum speed is stated on the unit.



### WARNING!

If the speed is higher than that stated then the unit must be adjusted by an authorised service workshop before it is used.

## Care and storage

### General

Husqvarna's power cutters are robust and durable. However, as they are used for high speed operations all servicing should be carried out on time and as specified, so that the power cutter always works effectively and safely.

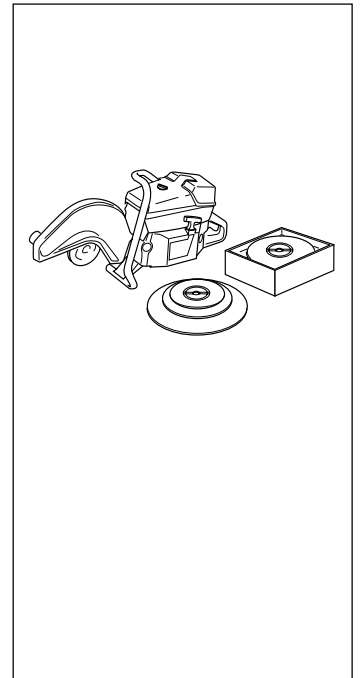
Read this Operator's Manual to determine which service routines you can carry out and ensure that all other service work is carried out by an authorised service workshop.

### Power Cutter

Always handle the power cutter with care and store it with the disc removed.

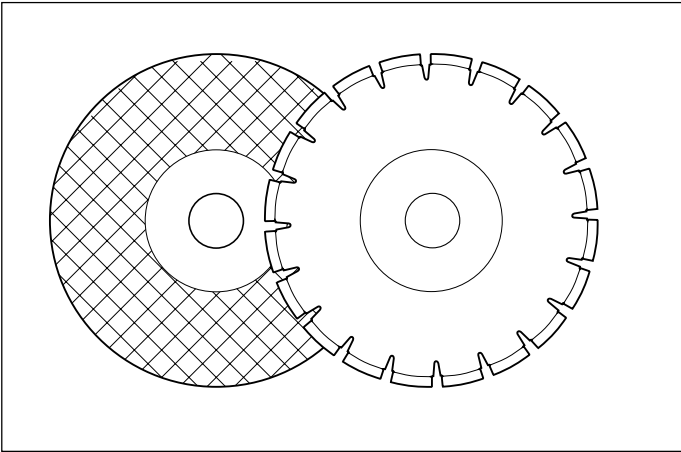
### Discs

- All discs should be removed from the cutter after use and stored carefully.
- Special care should be taken with abrasive discs.
- Discs must be stored on a firm, level surface. If discs are supplied with a backing pad then a spacer should be used to keep them flat.
- Avoid moisture and temperature extremes.
- Remove the discs before the cutter is moved or transported.
- Inspect new discs for transport or storage damage.



# SAFETY INSTRUCTIONS

## CUTTING DISCS AND BLADES



### General

Cutting discs and discs are available in two standard designs; abrasive discs and diamond discs.

### High speed portable tools

Cutting discs of the make Husqvarna are manufactured for portable, high speed, power cutters. If other makes of cutting discs are used, ensure the discs comply with all the directives and requirements attributed to the specific type of power cutter.



**WARNING!**  
Never exceed the maximum working speed of a cutting disc.

### Special discs

Some cutting discs are designed for stationary equipment and for use with attachments, for example, rail cutting equipment. These types of cutting discs must not be used on portable, power cutters.



**WARNING!**  
Never use a cutting disc for any other purpose than that it was intended for.

Always contact local authorities and make sure you are following applicable directives.

## Abrasive discs

The cutting material in an abrasive disc consists of abrasive corn that is held together by an organic bonding agent. "Reinforced discs" are made up of a fabric or fibre base that prevents total breakage at maximum working speed if the disc should be cracked or damaged. (The term reinforced does not refer to those cutting discs that are only reinforced around the flange).

A cutting disc's performance is determined by the type and size of abrasive corn, and the type and hardness of the bonding agent.

Characteristics that give the disc a shorter service life and greater cutting capacity are said to make the disc "softer". A disc with a longer service life and slower cutting capacity is a disc with a "harder" effect.

High quality cutting discs are normally more economical. Lower quality cutting discs usually have an inferior cutting capacity and shorter service life, which results in higher cost per processed material.

**ABRASIVE DISCS TYPES AND USES**

Disc type	Use		
	General characteristics	Material	Water cooling
Concrete	Universal usage, economical	Concrete, asphalt, stone, brickwork, cast iron, aluminium, copper, brass, cables, rubber, etc.	Increases the disc's service life. Reduces dust formation. Recommended.
Metal	Unbeatable for steel (not suitable for concrete, etc.)	Steel, steel alloys and other hard metals.	Reduces cutting capacity NOT recommended.

# SAFETY INSTRUCTIONS

## Cutting discs

### Type of cutting discs

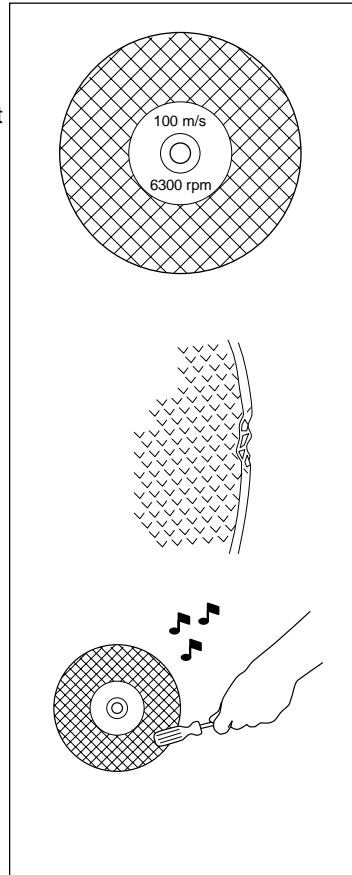
Check that the disc is approved for high speed, portable power cutters. Do not exceed the maximum working speed stated on the disc.

### Damage

- Ensure the disc is not cracked or damaged in any other way.
- Test the disc by hitting it gently with a piece of wood. If the disc does not give a full-sounding ring then it is damaged.
- Never use a disc that has fallen on the floor.

### Assembly

- Check that the disc is fitted correctly and is secure.
- Follow all specifications in the table below.



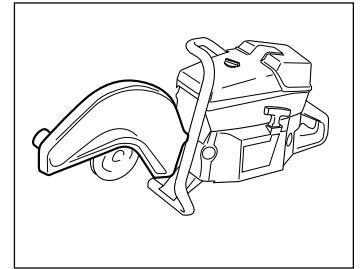
### Specifications for fitting discs

Standard discs centre hole (spindle)	inches mm	.787 7/8 1 20 22,2 25,4
Reducing bush*	Max. thickness Min thickness	Disc thickness 3 mm (1/8")
Backing pad (Must be used)	Material	Highly compressible, e.g. blotting paper
	Max. thickness	0,5 mm (.020")
Spindle hole/ drive shaft	Play	0,2 mm (.010")
Flange tightening	The disc does not slip, flange not bent	
Disc/guard	Check that the disc runs free of the guard.	

\* Plastic reducing bushes may only be used with abrasive discs. Do not use reducing bushes with diamond discs or tungsten carbide tipped blades. We recommend that the spindle is replaced so that it fits the discs to be used rather than using a reducing bush. Contact your service workshop for details.

## Guard

Check that the guard is not crack or shows signs of any other damage. Clean the inside of the guard before fitting a new disc. Check that the guard can be adjusted and locked.



## Diamond discs

Diamond discs are basically made in the same way as abrasive discs but are manufactured from industrial diamonds held together by a bonding agent.

### DIAMOND DISCS TYPES AND USES

Diamond disc	General characteristics	Material	Water cooling
	Low cost per cutting operation. Less disc changes. Constant cutting depth. Less dust.	All brickwork, reinforced concrete and other composite materials. NOT recommended for metal.	Increases the disc's service life.



### WARNING!

**Cool a diamond disc continually with water to prevent overheating, which can cause the disc to break and pieces being thrown off resulting in injury and damage.**

## Using diamond discs

### Proceed as follows:

- Let the disc rotate in the same direction as the arrow indicates.
- Cool continually with water.
- Keep the disc sharp.
- Remove the disc when transporting the cutter.

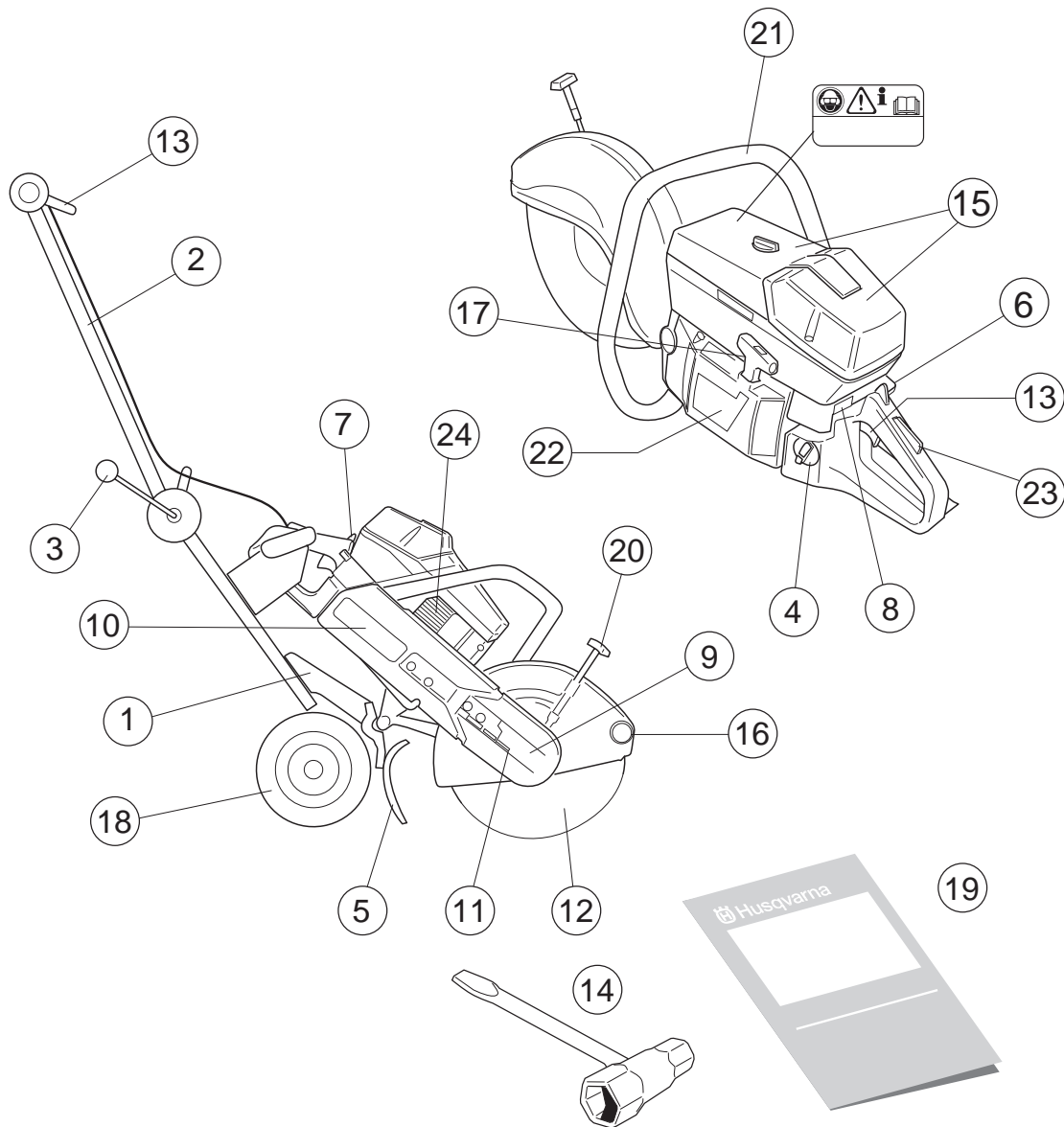
### Avoid:

- Running the disc in the wrong direction.
- Forcing a dull disc or wedging the disc into a cut.
- Transporting the cutter with the disc fitted.
- Letting the disc fall on the work piece.

## Dry diamond discs

Dry diamond discs are a new generation of discs that do not require water cooling. However, the discs are still damaged by excessive heat. It is good economics to let the disc cool by simply lifting the disc from the cut every 30–60 seconds and let it cool for 10 seconds.

# WHAT IS WHAT?



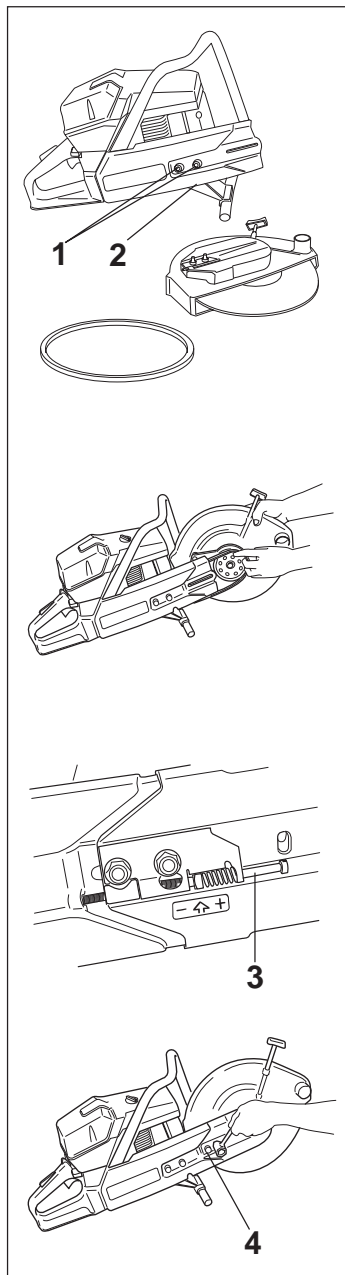
## What is what on a power cutter?

1. Cutting trolley
2. Upper guide section
3. Locking lever for upper guide section
4. Fuel tank
5. Splash guard
6. Choke
7. Throttle catch
8. Stop switch
9. Cutting head
10. Cutting arm
11. Belt tensioning screw
12. Cutting disc
13. Throttle
14. Combination spanner
15. Air filter cover
16. Disc guard
17. Starter handle
18. Support wheel
19. Operator's Manual
20. Adjustment lever for the disc guard
21. Front handle
22. Starter
23. Throttle catch
24. Decompression valve

# ASSEMBLY

## Fitting the cutting head

Undo both nuts (1) on the cutting arm and the bolts (2). Remove the cutting arm and fit the drive belt on the clutch drum. Replace the cutting arm in position. Tighten the nuts and bolts.

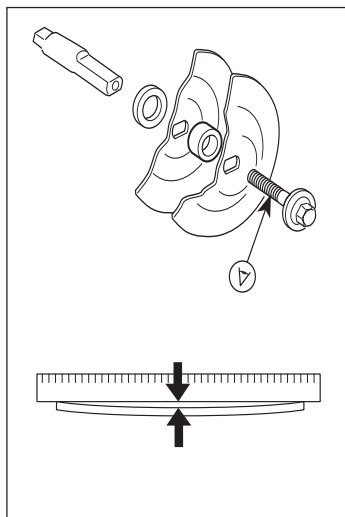


Thread the drive belt over the cutting head's pulley and fit the cutting head together with the belt guard. Tighten the nuts by hand.

Screw in the tensioning screw (3) so that the square nut is located above the arrow on the belt guard. This automatically sets the correct belt tension. Tighten both nuts (4) using the socket spanner. New drive belts should be retensioned after using one or two tanks of fuel.

## Checking the drive shaft and flanges

- Check that the threads on the drive shaft are undamaged.
- Check that the contact surfaces of the cutting disc and flanges are flat, run correctly on the spindle and are free from foreign objects.



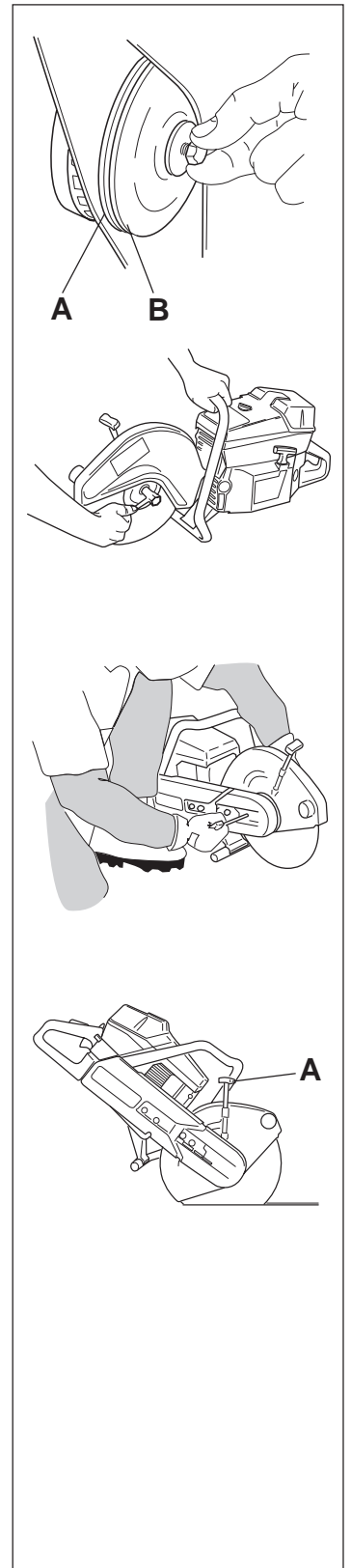
Do not use flanges that are twisted, have damaged edges, untrue or dirty. Do not use different size flanges.

## Fitting the cutting disc

Husqvarna cutting discs are manufactured and approved for freehand cutting. The paper labels on each side of the disc are there to distribute the pressure from the flange washer and prevent the disc from slipping.

The disc is placed between the flange hub (A) and the flange washer (B). The flange washer is turned so that it fits in the flange hub. The cutting disc is tightened using the socket spanner 501 69 17-02.

The shaft can be locked using a screwdriver, steel pin or the like. This is slid in as far as possible. The disc is tightened clockwise.



## Disc guard

**The disc guard should always be fitted on the power cutter.**

The guard should be adjusted so that the rear section is close to the work piece. Cutting fragments and sparks are then collected by the guard and led away from the user. By using the lever (A) the guard can be loosened and set in the required position.



**WARNING!**  
16 inch disc guards should only be used on power cutters originally equipped with a 16" disc guard. If a disc guard is fitted as a spare part on a power cutter originally equipped with a 12" or 14" disc guard, the 16" cutting disc will rotate too quickly. A cutting disc with too high speed can burst or cause serious injury and damage.

# FUEL HANDLING

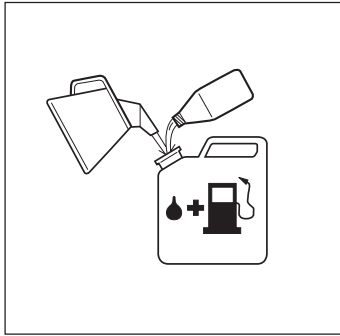
## Fuel mixture



**WARNING!** the power cutter is fitted with a two-stroke engine and must always be run on a mixture of petrol and two-stroke oil. To ensure the correct mixture proportions it is important to measure the quantity of oil accurately. When mixing small amounts of fuel small discrepancies in the amount of oil has a great bearing on the proportions of the fuel mixture. Always provide good ventilation when handling fuel.

### Petrol

- Use unleaded or quality leaded petrol.
- The lowest recommended octane rating is 90. If you run the engine on a petrol with a lower octane rating than 90 so-called "knocking" can occur. This leads to an increased engine temperature, which can result in a serious engine breakdown.



### Two-stroke oil

- For the best results use HUSQVARNA two-stroke oil, which has been specially produced for power cutters. Mixing ratio 1:50 (2%).
- If HUSQVARNA two-stroke oil is not available you can use a high quality two-stroke oil intended for air cooled engines. Contact your dealer when selecting an oil. Mixing ratio: 1:33 (3%) - 1:25 (4%).
- Never use two-stroke oil intended for water cooled outboard motors, so-called outboard motor oil.
- Never use oil intended of four-stroke engines.

Gasolin Benzin Essence Gasolina Lit.	Oil • Öl Huile • Aceite Lit.		
	2%(1:50)	3%(1:33)	4%(1:25)
5	0,10	0,15	0,20
10	0,20	0,30	0,40
15	0,30	0,45	0,60
20	0,40	0,60	0,80
US gallon	US fl. oz.		
	2%(1:50)	3%(1:33)	4%(1:25)
1	2 1/2	3 3/4	5 1/8
2 1/2	6 1/2	9 3/4	12 7/8
5	12 7/8	19 1/4	25 3/4

### Mixture

- Always mix petrol and oil in a clean container intended for petrol.
- Always start by filling half the quantity of petrol required. Then add the entire oil quantity. Mix (shake) the fuel mixture. Fill the remaining quantity of petrol.
- Mix (shake) the fuel mixture carefully before filling in the machine's fuel tank.
- Do not mix fuel for more than approx. 2 months use.
- If the clearing saw is not used for a long period of time, the fuel tank should be emptied and cleaned.



## Fuelling



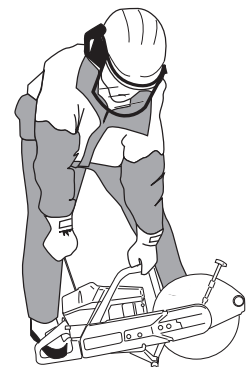
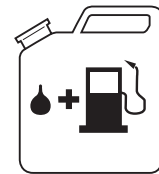
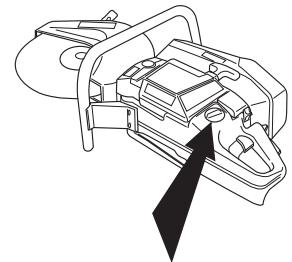
**WARNING!** The following precautions reduce the risk of fire:

- Do not smoke or place any sources of heat in the vicinity of the fuel.
- Never refuel when the engine is running.
- Open the fuel cap slowly when fuelling so that any over pressure is released slowly.
- Tighten the fuel cap carefully after refuelling.
- Always move the machine from the fuelling place before starting.

- Keep the handle dry, clean and free from oil and fuel.

- Clean around the fuel cap. Clean the fuel tank regularly. The fuel filter should be changed at least once per year. Contamination in the tank can disrupt operations. Ensure that the fuel is well mixed by shaking the container before filling the tank.

- Always exercise care when filling the fuel. Move the power cutter at least three metres from the filling area before starting. Make sure the fuel cap is tightened.



# START AND STOP

## Start and stop



**WARNING!** Before starting observe the following:

- Do not start the power cut without the cutting arm or cutting head fitted. Otherwise the clutch can come loose and cause personal injury.
- Always move the power cutter from the filling area before starting.
- Ensure that you and the machine stand firmly and that the cutting discs rotates freely.
- Make sure no unauthorised persons are within the working area.

## Starting a cold engine

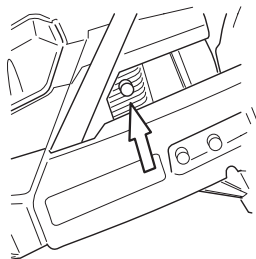
### IGNITION:

Slide the stop switch to the left.



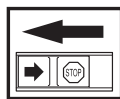
### CHOKE:

Pull out the choke.



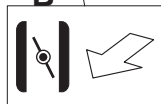
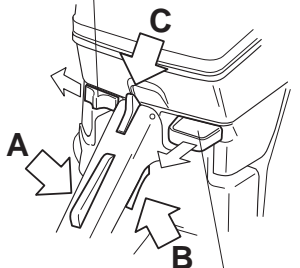
### DECOMPRESSION VALVE (272K)

Press in the valve to reduce the pressure in the cylinder, this makes starting the power cutter easier. The decompression valve should always be used when starting. When the machine has started the valve automatically returns to its original position.



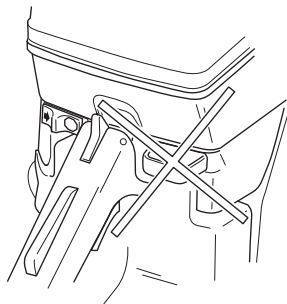
### START THROTTLE

Press down the catch for unintentional throttle (A). Apply full throttle using the throttle (B). Press the start throttle catch backwards (C).



## Starting a warm engine

Follow the same procedure as for a cold engine but do not pull out the choke.



## Start



**WARNING!** The cutting disc can rotate when the engine starts. Make sure it can rotate freely.

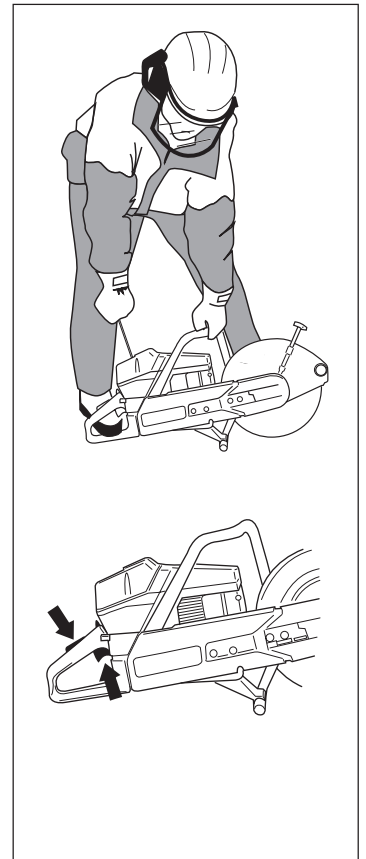
Take hold of the front handle using your left hand. Place your right foot on the lower section of the rear handle and press the power cutter against the ground.

Grip the starter with your right hand, and slowly pull the starter cord out until you feel some resistance (the pawls grip) now pull quickly and powerfully.

**NOTE!** Do not pull out the starter cord completely and do not release the starter from the fully extended position. This can damage the power cutter.

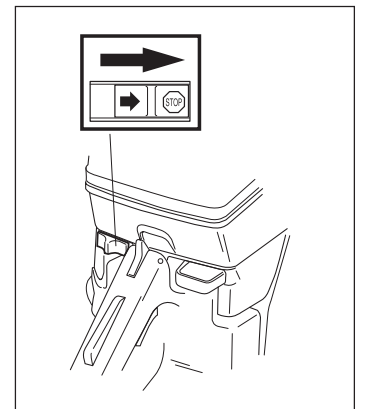
Press in the choke as soon as the engine fires and repeat until the engine starts.

When the engine starts, quickly apply full throttle and the start throttle will automatically disengage.



## Stop

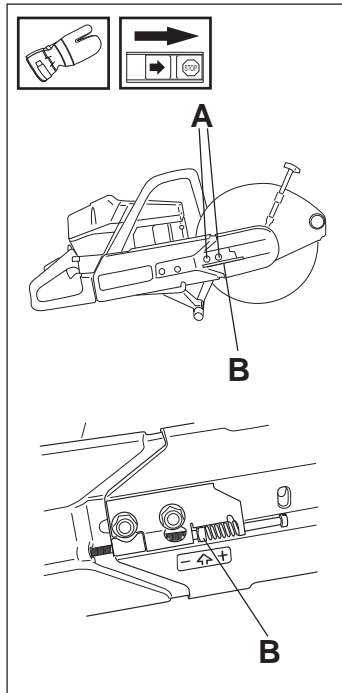
The engine is stopped by switching off the ignition. (Slide the stop switch to the right.)





## Adjusting the drive belt

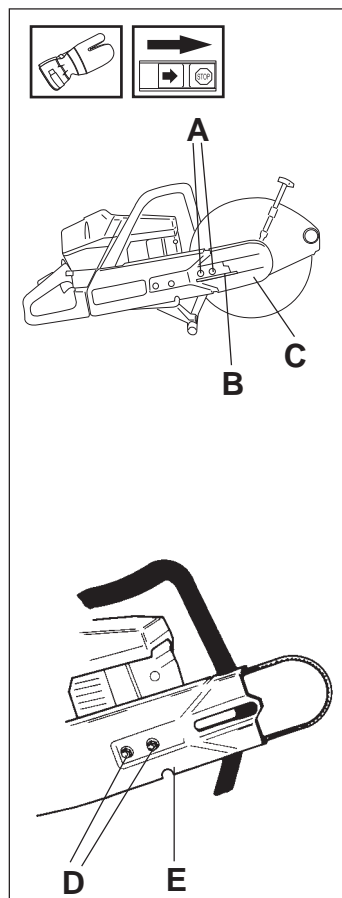
- The drive belt is fully enclosed and well protected from dust, dirt and mechanical effects during the cutting process.
- To tension the drive belt, slightly loosen the nuts (A), which secure the cutting head and belt guard.
- Turn the tensioning screw so that the nut (B) is located directly under the arrow on the cover. Shake the head to ensure the spring can tension the belt. The belt now automatically has the right tension.
- Tighten the nuts that hold the cutting head.



**IMPORTANT INFORMATION!** A new drive belt should be tensioned after using one or two tanks of fuel.

## Changing the drive belt

- Loosen the two nuts (A).
- Turn the tensioning screws (B) until the tension has been released.
- Remove the two nuts (A).
- Remove the front belt cover (C).
- Remove the belt from the pulley.
- Dismantle the cutting head.
- Remove the two nuts (D), and the screws that are straight under these (E) and lift off the cutting arm.
- Replace the drive belt.
- To assemble reverse the procedure for dismantling.
- Check the cutting disc's disc guard for signs of cracking or other damage. Replace it if damaged.



**WARNING!** Never use a power cutter without a disc guard over the cutting disc.



# MAINTENANCE

## Carburettor

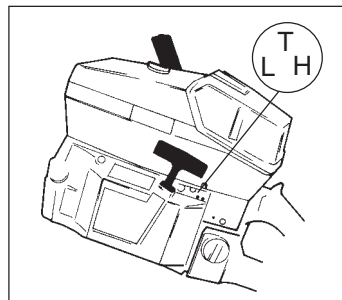
### Operation, Basic settings, Fine tuning



**WARNING!** The power cutter must be correctly assembled with cutting arm and cutting head before you start (See chapter "Assembly".)

#### Operation

- The carburettor governs the engine's speed via the throttle. Air/fuel is mixed in the carburettor. The air/fuel mixture is adjustable. To take advantage of the engine's optimal output the adjustment must be correct.
- The setting of the carburettor means that the engine is adapted to local conditions, for example, the climate, altitude, petrol and the type of 2-stroke oil.



- The carburettor is equipped with three adjustment possibilities:

L = Low speed needle  
H = High speed needle  
T = Idle speed adjuster screw

- The fuel quantity in relation to the air flow permitted by the throttle opening is adjusted using the L and H-needles. Turning the needles clockwise gives a leaner fuel mixture (less fuel) and turning them anti-clockwise gives a richer fuel mixture (more fuel). A leaner mixture gives high revs while a richer mixture give less revs.
- The T-screw regulates the position of the throttle while the engine is idling. Turning the screw clockwise gives a higher idling speed while turning it anti-clockwise gives a lower idling speed.

#### Basic setting

The carburettor is set to its basic setting when test run at the factory.

**The basic setting is H = 3/4 turn respective L = 1 turn.**

**The carburettor should be set for a richer fuel mixture during the first 3–4 hours of use so that the engine parts are given good initial lubrication (running-in). To set this, adjust the maximum speed to 6-700 rpm under the recommended maximum speed.**

If you do not have the possibility of checking the maximum speed with a tachometer, the H-needle must not be set for a leaner mixture than stated for the basic settings.

**The recommended maximum speed must not be exceeded.**

NOTE! If the cutting disc rotates while the engine is idling the T-screw should be turned anti-clockwise until the cutting disc stops.

#### Fine tuning

- When the machine has been run-in the carburettor is finely tuned. **Fine tuning should be carried out by trained personnel.** The L-needle is adjusted first, then the idling screw T and finally the H-needle. **The following speed recommendations apply:**

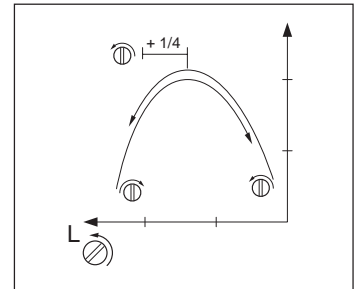
Max. speed    Idling speed  
**10,000 rpm    2,500 rpm**

#### Conditions

- The air filter should be clean and the cylinder cover fitted when all adjustments are made. If the carburettor is adjusted with a dirty air filter a too lean fuel mixture is obtained the next time the air filter is cleaned. This can result in serious damage to the engine.
- Carefully screw (clockwise) the L and H needles until they bottom. Then screw out (anti-clockwise) the needles one turn. The carburettor now has the setting H = 1 and L = 1.
- Start the power cutter as set out in the start instructions (see section "Start and stop") and run the cutter warm for 10 minutes. **NOTE! If the cutting disc rotates while the engine is idling the T-screw should be turned anti-clockwise until the cutting disc stops.**

#### Low speed needle L

- Find the highest idling speed by slowly screwing the low speed needle clockwise respective anti-clockwise. When the highest speed is found, screw the L-needle 1/4 turn anti-clockwise. NOTE! If the cutting disc rotates while the engine is idling the T-screw should be turned anti-clockwise until the cutting disc stops.



#### Fine tuning idling T

Idling is set using the screw marked T. If adjustment is necessary screw in (clockwise) the idling screw T with the engine running until the cutting disc starts to rotate. Thereafter open (anti-clockwise) until the disc stops rotating. The correct idling speed is set when the engine runs smoothly in all positions with a good margin to the speed when the disc starts to rotate.

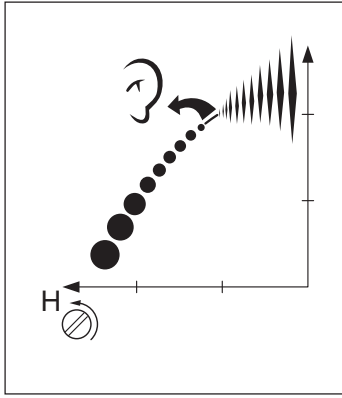


**WARNING!** If the idling speed cannot be adjusted so that the disc stops, contact your service workshop. Do not use the machine until it has been correctly adjusted or repaired.

# MAINTENANCE

## High speed needle H

- The carburettor is equipped with an automatic speed governor, which prevents a too high peripheral speed on the cutting disc. At full throttle with a unloaded cutting disc distinctive variations in speed can be heard. This is usual and is only a sign that the speed governor is working.
- The high speed needle H affects the power cutter's output and should be set according to the recommended basic setting, H = 3/4 turn open.
- If adjustment is necessary proceed as follows:  
Screw the H-needle inwards to the limit position where the engine starts to hesitate with acceleration. Use short, fast acceleration from idling. From this position the H-needle is opened 1/4 turn (90°), which gives the carburettor setting for max. engine output.
- Check using a tachometer that the stated maximum speed 10,000 rpm is not exceeded.



NOTE! A high speed needle set too lean (H-needle screwed in too far)) reduces the power cutter's output and causes overheating resulting in engine damage. The high speed needle H should be set for the highest output and not the highest speed.

NOTE! To obtain the optimal setting a technician with access to a tachometer should be contacted. The recommended maximum speed should not be exceeded.

## Correctly adjusted carburettor

A correctly adjusted carburettor means that the machine accelerates without hesitation and that the engine gurgles a little at full throttle. In addition the cutting disc should not rotate when idling. An L-needle set too lean can give starting difficulties and inferior acceleration. An H-needle set too lean gives lower engine output = "less power", inferior acceleration and/or engine damage. A too rich setting of either the L or H needles gives acceleration difficulties or a too low working speed.

## Fuel filter

- The fuel filter sits inside the fuel tank.
- The fuel tank must be protected from contamination when filling. This reduces the risk of operating disturbances caused by blockage of the fuel filter.
- The filter cannot be cleaned but must be replaced with a new filter when it blocked. **The filter should be changed at least once per year.**

## Air filter

The air filter should be cleaned regularly removing dust and dirt to avoid:

- Carburettor malfunction
- Starting problems
- Reduced engine power
- Unnecessary wear to engine parts
- Abnormal fuel consumption



The air filter system consists of a pre-filter and a main filter:

- 1) The pre-filter is an oiled foam filter that is easily accessible under the filter cover (A). When used in dusty conditions, this filter should be checked/replaced after every second tank of fuel. The filter must be cleaned and oiled regularly to obtain a satisfactory filtering effect. There is a special HUSQVARNA oil produced for this purpose (reference number 503 47 73-01). The bottle contains sufficient oil (0.1 l) for oiling the filter three times.

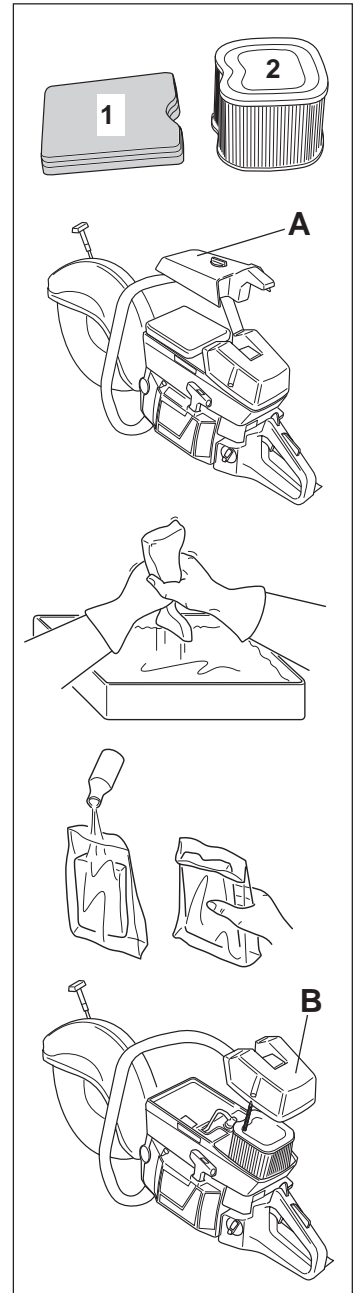
- Remove the filter. Wash the filter carefully in tepid, soapy water. After cleaning rinse the filter thoroughly in clean water. Squeeze out the filter and let the filter dry.

NOTE! Compressed air at a high pressure can damage the foam.

- Oil the filter carefully. It is extremely important that the entire filter is saturated in oil.

- 2) The main filter is a paper filter and is accessible from under cover B. This filter should be changed/cleaned when the engine's output drops or after 1-2 weeks. The filter is cleaned by shaking or carefully using compressed air. Note the filter must not be washed!

A filter used for a long period of time can never be completely cleaned. Therefore all air filters must be replaced periodically with a new filter. **A damaged air filter must always be replaced.**



# MAINTENANCE

## Starter



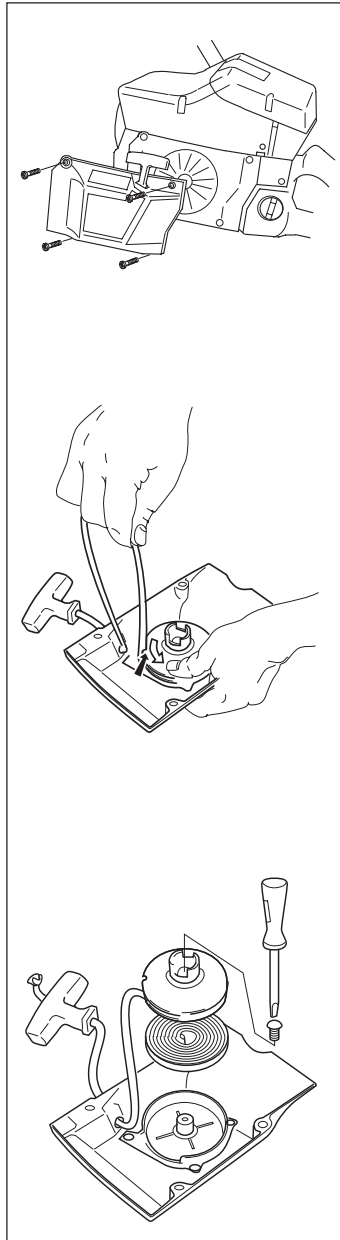
### WARNING!

- The recoil spring sits in its tensioned position in the starter housing and can with careless handling fly out and cause personal injury.
- When replacing the recoil spring or the starter cord great care should be exercised. Always wear protective glasses.

## Replacing a broken or worn starter cord



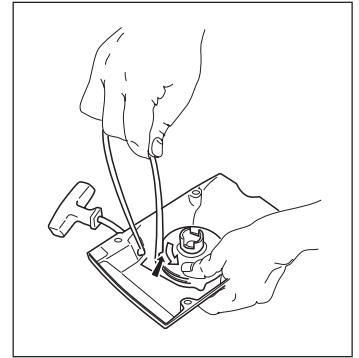
- Loosen the bolts that hold the starter against the crankcase and lift off the starter unit.
- Pull out the cord approx. 30 cm and lift it out of the cut-out in the starter-pulley's periphery. Reset the recoil spring by allowing the pulley to slowly rotate backwards.
- Loosen the screw in the centre of the starter-pulley and lift off the pulley. Insert and secure the starter cord in the starter pulley. Wind on approx. 3 turns of the cord on the pulley. Fit the pulley on the recoil spring so that the end of the recoil spring hooks on the pulley. Fit the screw in the centre of the pulley. Thread the starter cord through the hole in the starter housing and the starter handle. Tie a good knot on the end of the cord.



## Tensioning the recoil spring

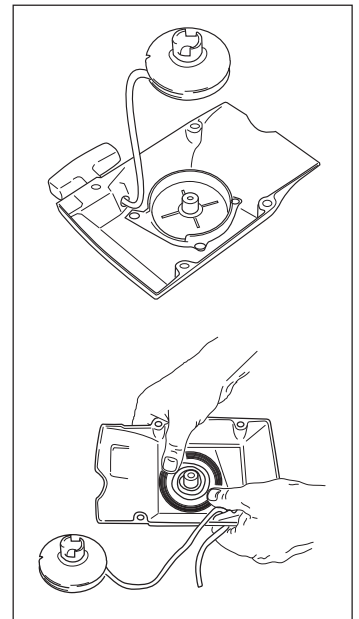
- Lift up the starter cord from the cut out on the pulley and turn the pulley approx. 2 turns clockwise.

NOTE! Ensure the starter pulley can be turned at least a further 1/2 turn when the starter cord is fully extended.



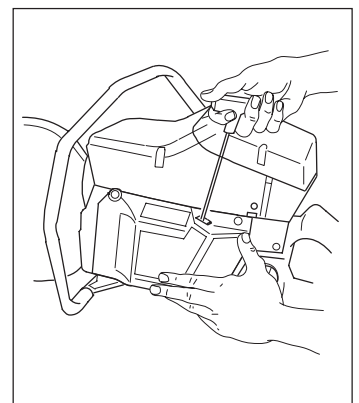
## Replacing a broken recoil spring

- Lift up the starter pulley (see section "Replacing a broken or worn starter cord"). Bear in mind the recoil spring is under tension in the starter housing.
- Dismantle the recoil spring by, with the inside of the starter facing downwards, gently knocking it against the bench. If the spring flies out when fitting, it is wound from the outside towards the centre.
- Lubricate the recoil spring with a thin layer of oil. Fit the starter pulley and tension the recoil spring.



## Fitting the starter

- Fit the starter by first pulling out the starter cord and then placing the starter in position on the crankcase. No slowly release the starter cord so that the pawls grip in the pulley.
- Fit and tighten the screws that hold the starter.



# MAINTENANCE

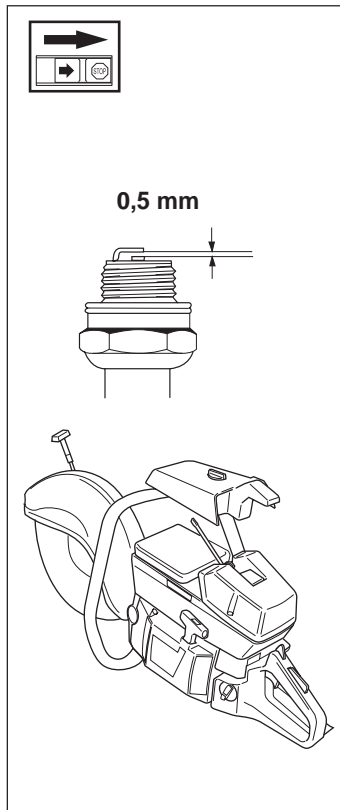
## Spark plug

The condition of the spark plug is affected by:

- An incorrect carburettor setting.
- An incorrect fuel mixture (too much oil).
- A dirty air filter.

These factors cause deposits on the spark plug electrode that may result in malfunction or starting difficulties.

- **If the machine is low on power, difficult to start or runs poorly while idling always check the spark plug first.** If the spark plug is dirty, clean it and at the same time check that the electrode gap is 0.5 mm. The spark plug should be changed after about one month of operation or earlier if necessary.



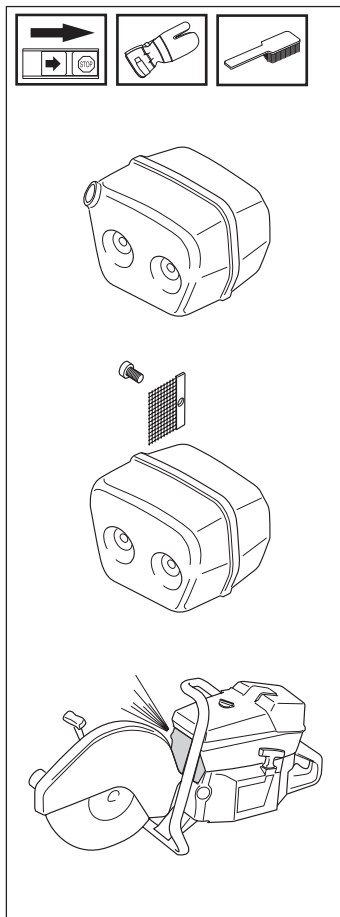
**NOTE!** Always use the recommended type of spark plug. (see chapter "Technical data")! An incorrect spark plug can damage the cylinder/piston.

## Silencer

The silencer is designed to dampen the noise level and to direct the exhaust fumes away from the user. The exhaust fumes are hot and can contain sparks, which can result in fire if the exhaust fumes are directed towards a dry or inflammable material. Some silencers are fitted with a special spark arrest screen.

If your power cutter is fitted with this type of silencer then the screen should be cleaned at least once a week. This is done using a wire brush.

**NOTE!** If the screen is damaged in anyway it should be replaced. If the screen is blocked this will result in the engine overheating and damage to the cylinder and piston. **Never use a power cutter with a defective silencer.**



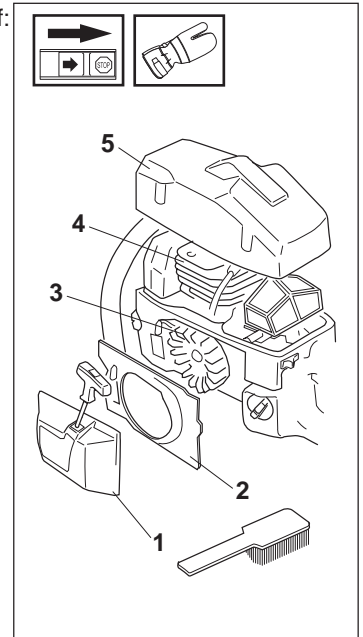
## Cooling system

To maintain as low an operating temperature as possible the power cutter is equipped with a cooling system.

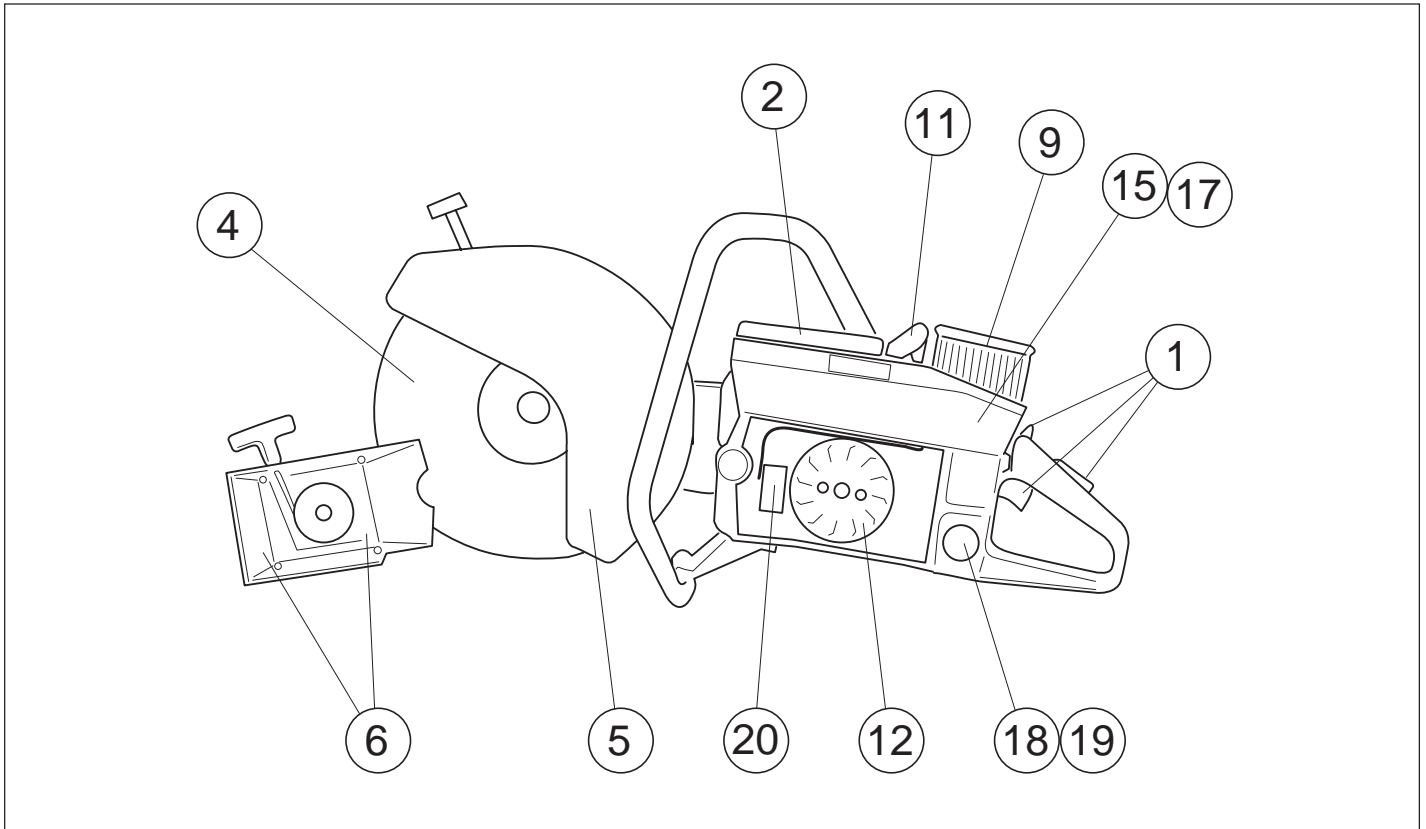
The cooling system consists of:

1. An air intake on the starter unit.
2. Air flow guide.
3. Cooling fins on the flywheel.
4. Cooling fins on the cylinder
5. Cylinder cover (leads cold air onto the cylinder).

**Clean the cooling system using a brush at least once a week, in difficult conditions more often.** A dirty or blocked cooling system leads to the engine overheating resulting in damage to the cylinder and piston.



# MAINTENANCE



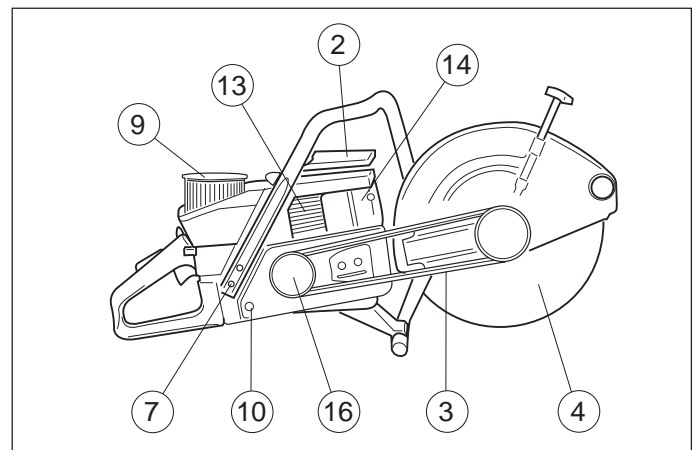
Below follows some general maintenance instructions. If you need further information please contact your service workshop.

## Daily maintenance

1. Check that throttle components work correctly from a safety view point (throttle and starter throttle catch).
2. Clean the pre-filter.
3. Check the tension of the drive belt.
4. Check the condition of the cutting disc.
5. Check the condition of the disc guard.
6. Check the starter and the starter cord; clean the outside of the starter's air intake.
7. Check that all nuts and bolts are tightened correctly.
8. Check that the short-circuiting contact functions.

## Weekly maintenance

9. Check the main filter.
10. Check that the anti-vibration elements are not damaged.
11. Clean the spark plug. Check that the electrode gap is 0.5 mm.
12. Clean the cooling fins on the flywheel. Check the starter and recoil spring.
13. Clean the cooling fins on the cylinder.
14. Check the silencer. Clean or change the silencer's spark arrest screen.
15. Clean the carburettor.



## Monthly maintenance

16. Check the clutch drum, drive-pulley, and clutch springs with regard to wear.
17. Clean the outside of the carburettor
18. Check the fuel filter, fuel hose, change if necessary.
19. Clean the inside of the fuel tank.
20. Check all cables and connections.



# TECHNICAL DATA

	<b>268K</b>	<b>272K</b>
<b>Engine</b>		
Cylinder volume, cu.in/cm <sup>3</sup>	67	72,2
Cylinder bore, inch/mm	50	52
Stroke, inch/mm	34	34
Idle speed, rpm	2.500	2.500
Recommended max. speed, unloaded, rpm	10.000	10.000
Power, kW	3,2/9 000	3,8/9 300
<b>Ignition system</b>		
Manufacture	Electrolux	Electrolux
Type of ignition system	ET	ET
Spark plug	NGK, BPMPR 7A	NGK, BPMPR 7A
Electrode gap, inch/mm	0,5	0,5
<b>Fuel and lubrication system</b>		
Manufacturer	Tillotson	Tillotson
Carburettor type	HS 225	HS 225
Fuel capacity, US pint/litre	0,75	0,75
<b>Weight</b>		
Without fuel and cutting disc, Lbs/kg		
12" (Ø 300 mm)	9,5 kg	9,6 kg
14" (Ø 300 mm)	-	10,1 kg
<b>Sound levels</b>		
Equivalent (see note 1) sound pressure level at the user's ear, measured according to prEN 1454 and ISO/DIS 11201, dB(A).	98	99,5
Equivalent (see note 1) sound power level, measured according to prEN 1454 and ISO 3744 dB(A).	106	107
<b>Vibration levels</b>		
Handle vibrations measured according to prEN 1454 and ISO 5349.		
Front handle, idling, m/s <sup>2</sup>	5,7	5,5
Front handle, full speed, m/s <sup>2</sup>	4,6	7,6
Rear handle, idling, m/s <sup>2</sup>	8,4	8,8
Rear handle, full speed, m/s <sup>2</sup>	13,8	11,5

Note 1. Equivalent sound level is calculated as the time weighted energy total for sound levels under different operating conditions during the following time divisions 1/2 idling, 1/2 full speed.

## Cutting equipment

Cutting disc	Gear ratio	Max. peripheral speed
12"	1:1,97	80 m/s
14"	1:1,97	100m/s







**1998W17**



## Free Manuals Download Website

<http://myh66.com>

<http://usermanuals.us>

<http://www.somanuals.com>

<http://www.4manuals.cc>

<http://www.manual-lib.com>

<http://www.404manual.com>

<http://www.luxmanual.com>

<http://aubethermostatmanual.com>

Golf course search by state

<http://golfingnear.com>

Email search by domain

<http://emailbydomain.com>

Auto manuals search

<http://auto.somanuals.com>

TV manuals search

<http://tv.somanuals.com>