



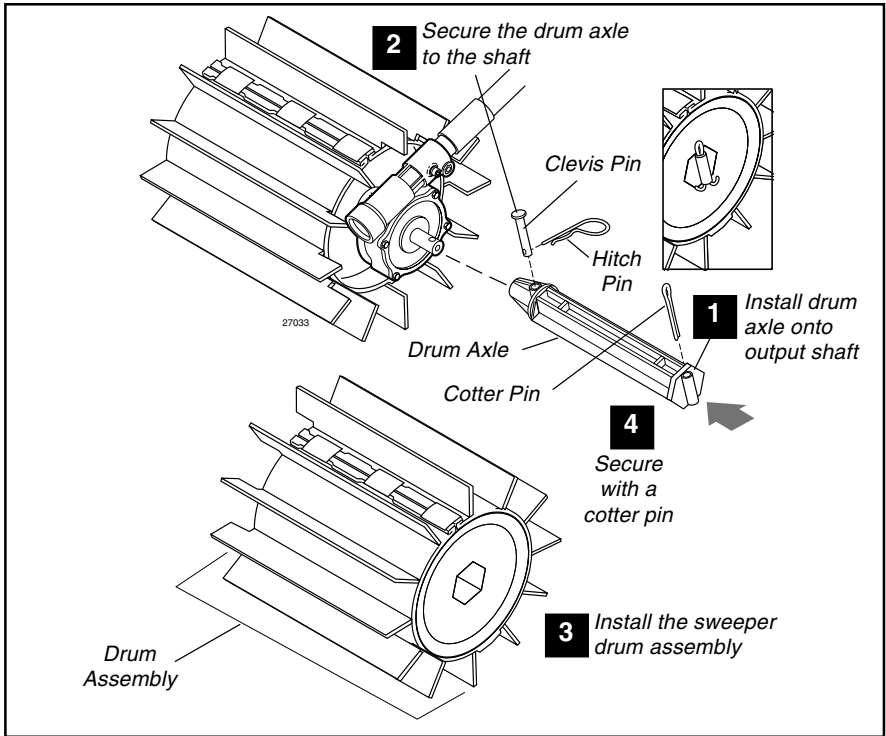
325 LX Clean Sweep Attachment

Operator's manual (EPA)



Read through the Operator's Manual carefully and understand the content before using the machine.

325 LX Clean Sweep Assembly



1. Push one of the drum axles onto either of the two gearcase output shafts. If necessary, rotate the drum axle until the clevis pin hole in the axle aligns with the matching hole in the gearcase output shaft.
2. Use a clevis pin and hitch pin to secure the drum axle to the shaft.
3. Slide the recessed end of a sweeper drum assembly over the assembled axle, and then push the drum down the axle until it bottoms at the clevis pin.
4. Use a cotter pin to secure the drum assembly on the axle (see inset). The cotter pin is designed to fit tightly against the outboard end of the drum, so you may need to compress the drum face slightly during installation.
5. Repeat Steps 1-4 to install the remaining axle and drum assembly.

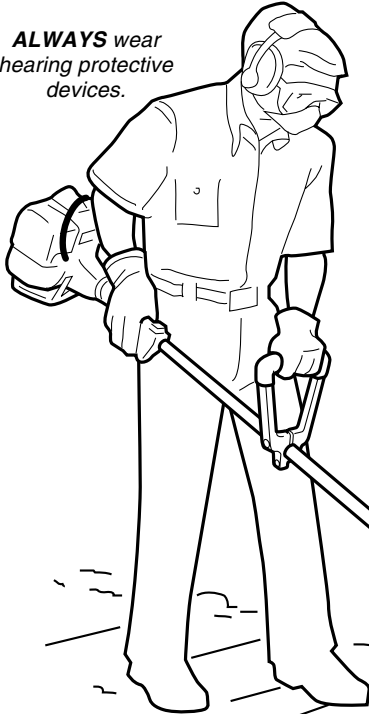
CAUTION!

The two drum assemblies are identical, but each drum must be installed with its recessed end facing toward the gearcase.

Break-in and Operation

If the machine is used in dusty conditions, the air filter should be saturated in air filter oil (see "Oiling the Air Filter" in the operators manual that came with the powerhead). Please check and clean the air filter often and replace the filter when necessary to prevent damage.

ALWAYS wear hearing protective devices.



The Properly Dressed Operator

ALWAYS wear eye protection such as goggles or safety glasses.

ALWAYS wear a mask to protect against dust or other airborne particles.

ALWAYS wear close fitting clothes. Gloves offer added protection and are strongly recommended. Do not wear clothing or jewelry that could get caught in machinery.

BEWARE of thrown debris!

DIRECTION OF ROTATION

ALWAYS wear leather or heavy-rubber shoes.
NEVER work barefooted!

The Clean Sweep works best when its rubber fins can quickly slide or "skim" over the surface being swept.

New or replacement sweeper belts tend to grip or drag on hard surfaces, and should be thoroughly broken in or "scuffed" before the broom is actually put to work.

Break-in is easily accomplished by operating the Clean Sweep at full throttle for 3 to 5 minutes in loose

gravel or similar abrasive material. Once broken in, the Clean Sweep will effortlessly move an amazing variety of materials, ranging from snow or standing water to heavier objects such as gravel or wood chips.

Experience will help you understand the operating principles of the Clean Sweep, but safe operation must be practiced from the start.

Operating Techniques

Operate the Clean Sweep at or near full throttle with its sweeper fins resting on the work surface.

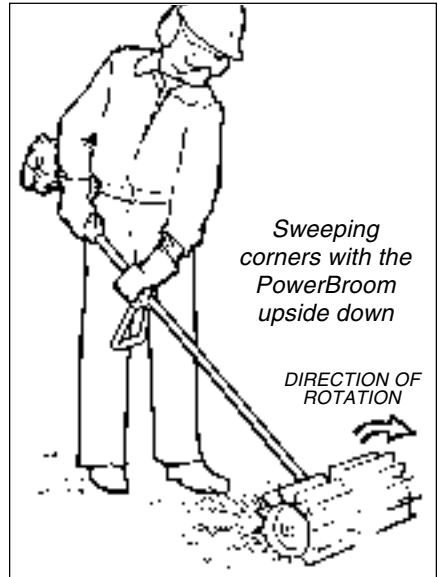
IMPORTANT!

It is both tiring and unnecessary to lift or hold the fins from the work surface during sweeping.

When sweeping narrow areas such as sidewalks, the Clean Sweep can be used to throw material directly ahead of the operator. Clearing wider areas may require sweeping at an angle to create windrows to one side of the path being cleared.

Windrows of lighter materials often can be combined into one main row or pile for eventual pickup, while heavy or bulky material may need to be collected row-by-row.

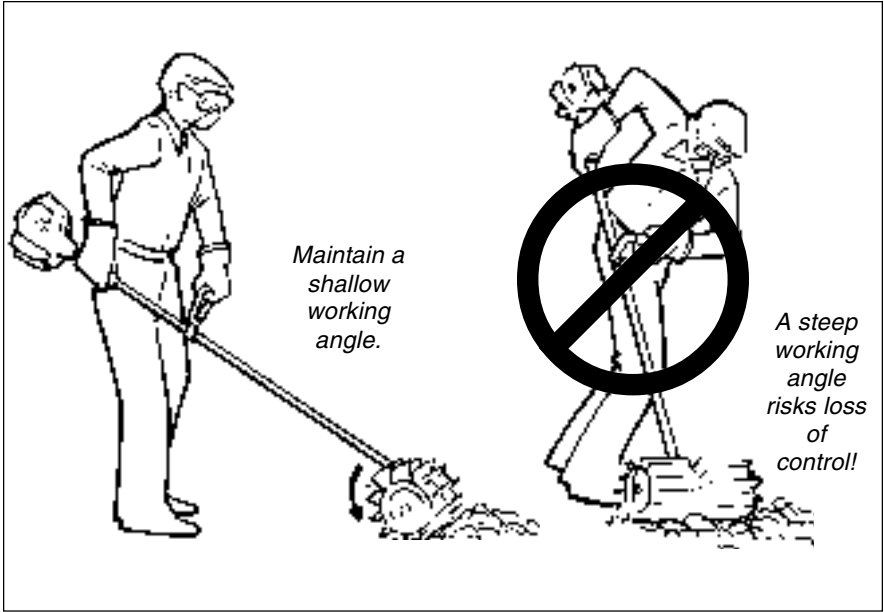
To pull debris from corners, reverse sweeper drum rotation by turning the powerhead over (throttle facing "up").



WARNING!

Reversing the Clean Sweep will cause debris to be thrown back toward the operator. When reversing the Clean Sweep, use lower throttle settings and beware that thrown debris may also affect your footing!

Operating and Safety Tips



WARNING!

Maintain a shallow angle to the work surface!

A high angle of operation tends to propel the broom toward you, risking loss of control of the machine.

The sweeper belts may rotate when the Clean Sweep is started!

Always maintain a firm grip when starting the Clean Sweep. Beware of objects that could become entangled in or be thrown by the rotating sweeper belts.

YOU MUST ALWAYS GUARD AGAINST THROWN DEBRIS!

Although the Clean Sweep's sweeper belts are less forceful

than a lawnmower blade, you must avoid any operation where thrown objects could pose a threat to persons or property!

Never operate the Clean Sweep if any protective devices (engine covers, stop switch, etc.) are missing or damaged!

Never operate the engine at high rpms without a load!

Doing so could damage the engine.

Avoid low rpm operation

Continuous low-rpm operation can lead to premature clutch failure.

Free Manuals Download Website

<http://myh66.com>

<http://usermanuals.us>

<http://www.somanuals.com>

<http://www.4manuals.cc>

<http://www.manual-lib.com>

<http://www.404manual.com>

<http://www.luxmanual.com>

<http://aubethermostatmanual.com>

Golf course search by state

<http://golfingnear.com>

Email search by domain

<http://emailbydomain.com>

Auto manuals search

<http://auto.somanuals.com>

TV manuals search

<http://tv.somanuals.com>