

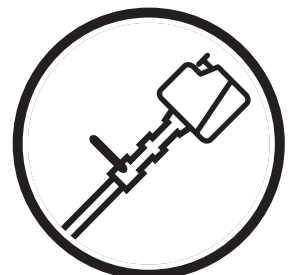
GB Operator's manual
FR Manuel d'utilisation
ES Manual de instrucciones

SWEEPER ATTACHMENT SR600
ACCESSOIRE DE BALAYEUSE SR600
SUPLEMENTO DE CEPILLO SR600

Please read these instructions carefully and make sure you understand them before using the machine.

Lire attentivement et bien assimiler le manuel d'utilisation avant d'utiliser la machine.

Lea detenidamente el manual de instrucciones y asegúrese de entender su contenido antes de utilizar la máquina.



GB FR ES

EXPLANATION OF SYMBOLS

Symbols



WARNING! The sweeper can be dangerous!
Careless or incorrect use can result in serious or fatal injury to the operator or others.



Read through the Operator's Manual carefully and understand the content before using the sweeper.



Always use:

- A protective helmet where there is a risk of falling objects.
- Ear protection
- Approved eye protection



This product is in accordance with applicable CE directives.



Wear a dust mask.



The operator of the machine must ensure that no persons or animals comes within a 15 metre radius while working.



Arrows which show limits for handle mounting.

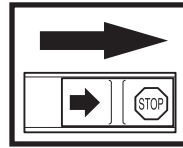


Always wear approved protective gloves.

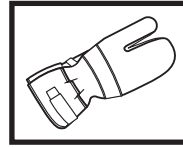


Use anti-slip and stable boots.

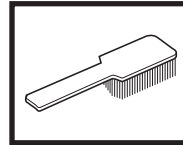
Other symbols/decals on the machine refer to special certification requirements for certain markets.



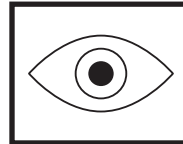
Checks and/or maintenance should be carried out with the engine switched off, with the stop switch in the STOP position.



Always wear approved protective gloves.



Regular cleaning required.



Ocular control.



Approved eye protection must always be used.

CONTENTS

Husqvarna AB has a policy of continuous product development and therefore reserves the right to modify the design and appearance of products without prior notice.



Read through the Operator's manual carefully and understand the content before using the machine.

These instructions supplement the instructions that were included with the machine. For other procedures, please refer to the operating instructions for the machine.



WARNING!
Under no circumstances may the design of the machine be modified without the permission of the manufacturer. Always use genuine accessories. Non authorised modifications and/or accessories can result in serious personal injury or the death of the operator or others.



WARNING!
This accessory may only be used together with the intended clearing saw/trimmer, see under heading "Approved accessories" in chapter Technical data in the machine's Operator's Manual.

The machine is only designed for brushing lawns, pathways, asphalt roads and the like.

List of Contents

EXPLANATION OF SYMBOLS

Symbols 2

CONTENTS

List of Contents 3

SAFETY INSTRUCTIONS

Personal protective equipment 4

General safety instructions 4

General working instructions 4

Basic working techniques 5

WHAT IS WHAT?

What is what on the sweeper? 6

ASSEMBLY

Assembling the angle gear and sweeper rollers 7

MAINTENANCE

Angle gear 8

Maintenance schedule 8

TECHNICAL DATA

Technical data 8

SAFETY INSTRUCTIONS

Personal protective equipment

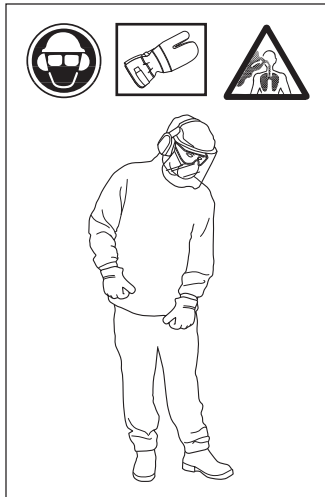
IMPORTANT INFORMATION

- Always use approved personal protection equipment when you use the sweeper. Personal protective equipment does not eliminate the risk of accidents, however, it can reduce the effects of an injury in the event of an accident. Ask your dealer for help when choosing protective equipment.

General safety instructions

Personal protection

- Always wear boots and other equipment described in the section "Personal protective equipment" in the machine's Operator's Manual.
- Always wear working clothes and heavy-duty long trousers.
- Never wear loose sitting clothes or jewellery.
- Secure hair so it is above shoulder level.
- Wear a dust mask.

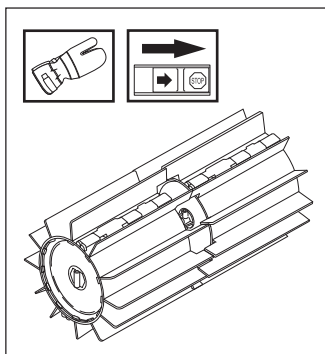


Safety instructions regarding the surroundings

- Never allow children to use the machine.
- Ensure no one comes closer than 15 metres when working.
- Never allow anyone else to use the machine without first ensuring that they have understood the contents of the Operator's Manual.

Safety instructions before starting work

- Inspect the working area. Remove all loose objects, such as stones, broken glass, nails, steel wire, twine and the like that could be thrown outwards or become entangled in the sweeper.
- Keep others at a safe distance. Children, animals, onlookers and helpers should stand outside of the safety zone of 15 m (50 feet). Stop the machine immediately if any one should approach.
- Check the entire machine before starting work. Replace damaged parts. Check for fuel leakage and that all safety guards and covers are complete and fastened securely. Check all nuts and bolts
- Check that the sweeper rollers are not cracked or damaged in any other way.




- When adjusting the carburettor, make sure that the sweeper rollers are held against the ground and that no one is nearby.
- Make sure the sweeper rollers always stop when the engine is idling.
- Make sure the handle and safety features are in order. Never use a machine that has parts missing or has been changed in relation to the specification.
- Only use the machine for the purpose it was intended for.

General working instructions

IMPORTANT INFORMATION

- This section describes basic safety rules for working with the sweeper.
- If you encounter a situation where you are uncertain how to proceed you should ask an expert. Contact your dealer or your service workshop.
- Avoid all usage which you consider to be beyond your capability.

Basic safety precautions

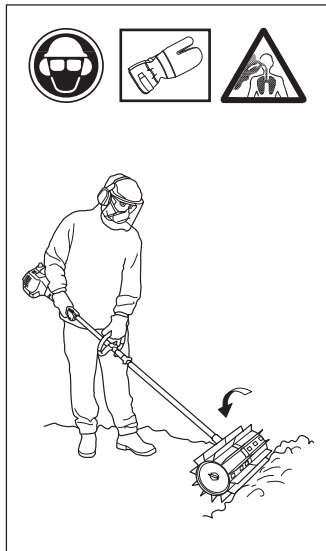
1. Observe your surroundings:
 - To ensure that people, animals or other things cannot affect your control of the machine.
 - To prevent the above-mentioned from coming into contact with the sweeper or being hit by loose objects that are thrown out.
 - **NOTE!** Never use a machine without the possibility of calling for help in the event of an accident.
2. Avoid usage in unfavourable weather conditions. For example, thick fog, heavy rain, strong winds or extreme cold, etc. To work in bad weather conditions is tiring and can create dangerous circumstances, e.g. slippery surfaces.
3. Make sure you can walk and stand safely. Look out for any obstacles with unexpected movement (roots, stones, branches, pits, ditches, etc.). Take great care when working on sloping ground.
4. The engine should be switched off before moving.
5. Never put the machine down with the engine running unless you have good sight of it.

SAFETY INSTRUCTIONS

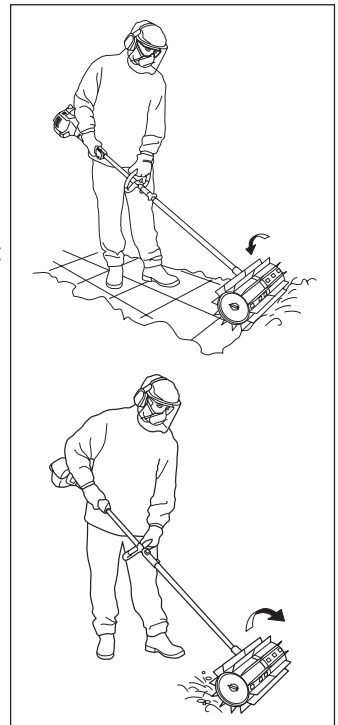
Basic working techniques

Safety instructions while working

- Always ensure you have a safe and firm foothold.
- Always hold the machine with both hands. Hold the machine of the right-hand side your the body.
- Keep your hands and feet away from the sweeper when the engine is running.
- When the engine has been switched off, keep your hands and feet away from the sweeper until it has come to a complete stop.
- Always use full throttle when using the sweeper.
- The sweeper works best when the rubber blades can quickly slide over or stroke the surface. New or replaced sweeper rollers tend to stick or drag on hard surfaces, and should therefore be run in properly before use. The easy way to run them in is to run the machine at full throttle for 3–5 minutes on loose gravel or a similarly abrasive material. After running-in the sweeper can easily clear a wide variety of materials, from snow and puddles of water, to heavier objects such as gravel and wood chippings. With practice you will learn how the sweeper works, but you must think of safety right from the start!
- Always drop to idling speed after each working operation. Longer periods running at full throttle without loading the engine (that is without resistance, which the engine feels from the cutting equipment when trimming) can lead to serious engine damage.
- If heavy vibrations occur, stop the engine. Remove the spark plug cable from the spark plug. Check that the machine is not damaged. Repair any damage.



When you want to clear narrow areas, such as pavements, the machine can be used so that it throws the material straight ahead of you. If you want to cover wider areas you may need to work at an angle so that long heaps build up on one side. Long heaps consisting of light material can be gathered together in a single line or pile for collecting later, while hard or bulky material may have to be collected in several long heaps. To clear in corners you can change the direction of rotation by turning over the machine.



WARNING! When you turn the machine over, litter is thrown backwards towards the user. Use a lower engine speed when you reverse with the machine and remember that it is easy to trip over material that is thrown out!

Keep your working angle low.

A large working angle could cause you to lose control!



WARNING! Beware of thrown objects. Always wear eye protection. Never lean over the sweeper rollers. Stones rubbish etc. can be thrown up into the eyes resulting in blindness or other serious injury. Keep unauthorised persons at a distance. Children, animals, onlookers and helpers should be outside the safety zone of 15 meters (50 feet). Stop the machine immediately if anyone approaches. The bevel gear unit can get hot during use and may remain so for a while afterwards. There is a risk of slight burns if you touch it.

Run the sweeper at full (or almost full) throttle, with the rubber blades resting on the surface.

CAUTION! It is both tiring and unnecessary to raise the rubber blades or hold them above the surface while you are working.



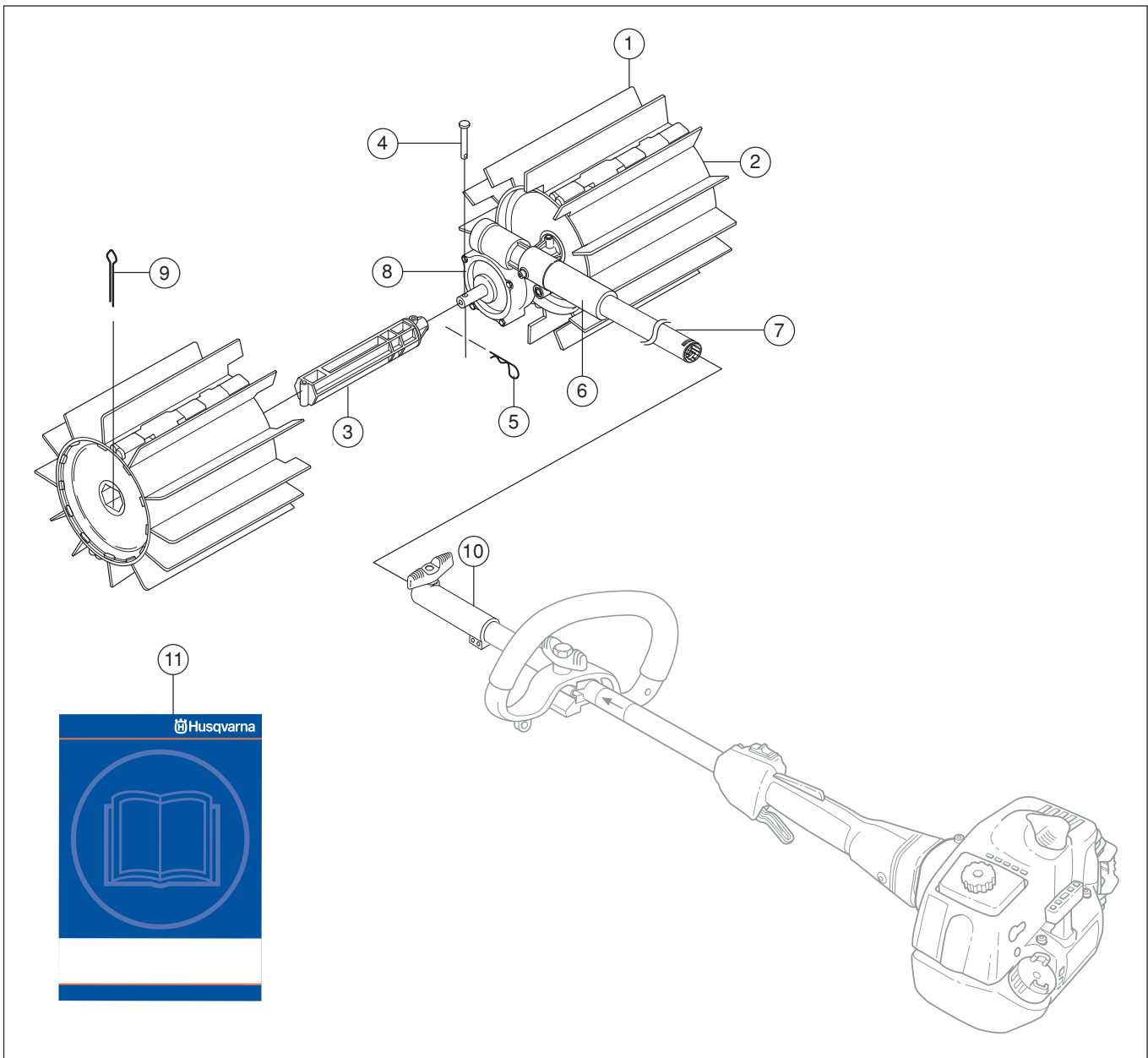
WARNING! Maintain a low working angle with the surface! If the working angle is high the sweeper will tend to move towards you and there is a risk you will lose control over the machine.

The sweeper rollers may start turning when the sweeper is started! Always hold the machine firmly when you start it up. Watch out for objects that could become entangled in the rotating sweeper rollers or thrown out by them.

ALWAYS WATCH OUT FOR OBJECTS THAT ARE THROWN OUT!

Even though the sweeper rollers do not exert the same force as a lawn mower blade, for example, you should avoid working with materials that could cause damage to people or property if they are thrown out.

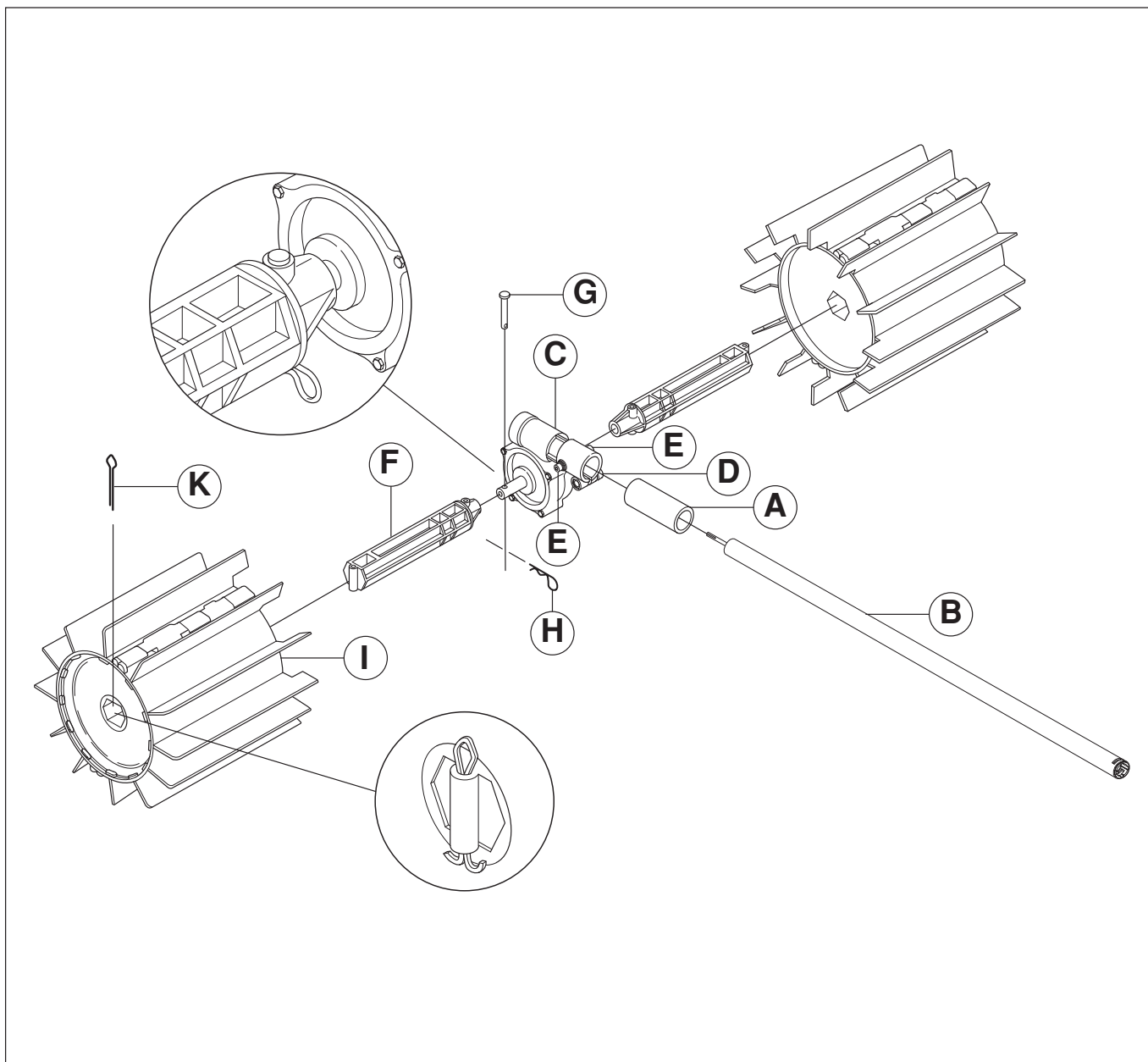
WHAT IS WHAT?



What is what on the sweeper?

1. Blade
2. Sweeper roller
3. Roller shaft (axle)
4. Pin
5. Hairpin spring
6. Plastic sleeve
7. Tube
8. Gearbox
9. Split pin
10. Shaft coupling (Belongs to base machine)
11. Operator's manual

ASSEMBLY



1. Slide the plastic sleeve (wear protection) (A) onto the tube (B).
2. Fit the gearbox (C) on the tube (B). Tighten clamp screw (D) at the gearbox. Tighten the two locking screws (E) on the gearbox.
3. Press one of the roller shafts (F) onto one of the two output drive shafts from the gearbox. If necessary rotate the roller shaft so that the hole for the pin lines up with the corresponding hole in the drive shaft.
4. Secure the roller shaft on the drive shaft using a pin (G) and hairpin spring (H).
5. Slide one of the sweeper rollers (I) onto the fitted shaft. The end with the extended rubber blades must be fitted closest to the gearbox. Slide the sweeper roller on until it touches the pin.
6. Secure the roller to the shaft using a split pin (K) (see diagram). The split pin must be flush with the outer end of the roller, so you may need to push on the end plate slightly to fit it. Bend back the legs of the split pin as shown, to ensure that the sweeper roller is held in place.
7. Repeat steps 1–7 to fit the shaft and roller on the other side.

CAUTION! The rollers are identical, but they must both be fitted with the extended rubber blades nearest the gearbox.

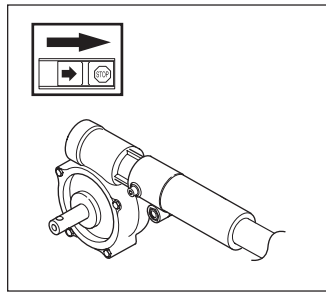
MAINTENANCE

TECHNICAL DATA

Angle gear

The angle gear is filled a sufficient quantity of grease at the factory.

Normally, the grease does not need to be changed except when repairs are carried out.



Maintenance schedule

Below follows some general maintenance instructions. If you need further information please contact your service workshop.

Important information

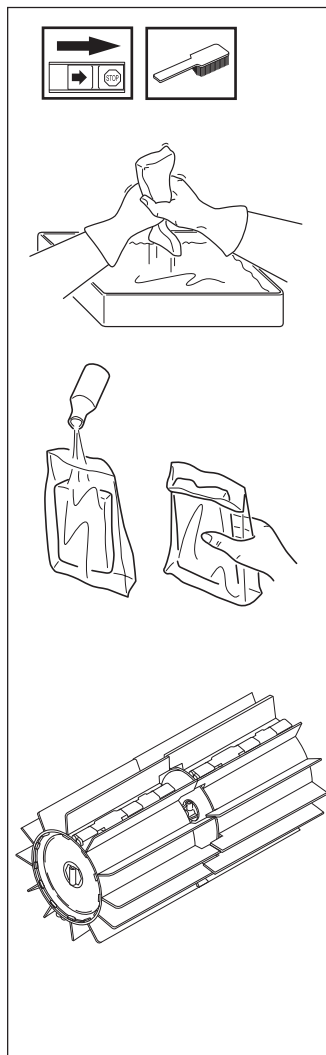
The sweeper is often used under dusty conditions. It is extremely important to maintain the air filter regularly, often daily. The air filter must be oiled in order to work satisfactorily.

Daily maintenance

1. Oiling the air filter

Always use HUSQVARNA filter oil, order no. 503 47 73-01. The filter oil contains a solvent to make it spread evenly through the filter. You should therefore avoid skin contact. Put the filter in a plastic bag and then pour the filter oil over it. Knead the plastic bag to distribute the oil. Squeeze the excess oil out of the filter inside the plastic bag and pour off the excess before fitting the filter on the machine. Never use common engine oil. This would drain through the filter quite quickly and collect in the bottom.

2. Check that the sweeper rollers do not rotate when the engine is idling.
3. Check that the sweeper rollers are not cracked or damaged. Replace the sweeper rollers if necessary.



Technical data

Weight, Lbs/kg	5.2
Max. rpm	262 rpm/4.4 rps
Sweeper roller width	575 mm
Sweeper roller diameter	270 mm

EXPLICATIONS DES SYMBOLES

Symboles



AVERTISSEMENT! La brosse peut être dangereuse! Une utilisation erronée ou négligente peut occasionner des blessures graves, voire mortelles pour l'utilisateur et les autres.



Lire attentivement le mode d'emploi et assimiler son contenu avant d'utiliser la brosse.



Toujours porter:

- Protège-oreilles
- Des lunettes de protection homologuées



Ce produit est conforme à la directive CE en vigueur.



Utiliser un masque de protection respiratoire.



L'utilisateur de la machine doit s'assurer qu'aucune personne ou animal ne s'approche à moins de 15 mètres pendant le travail.



Flèches indicatrices indiquant les limites pour l'emplacement de la fixation de la poignée.

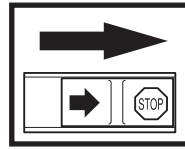


Utiliser toujours des gants de protection homologués.

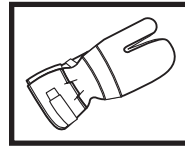


Utiliser des bottes stables et antidérapantes.

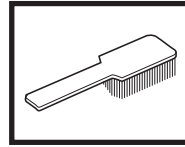
Les autres symboles/autocollants présents sur la machine concernant des exigences de certification spécifiques à certains marchés.



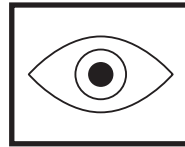
Contrôles et/ou entretiens sont effectués avec le moteur arrêté et le contacteur d'Arrêt en position STOP.



Utiliser toujours des gants de protection homologués.



La machine demande un nettoyage régulier.



Contrôle visuel.



Le port de lunettes de protection homologuées est obligatoire.



Remplissage d'huile et réglage du débit d'huile.

SOMMAIRE

Husqvarna AB travaille continuellement au développement de ses produits et se réserve le droit d'en modifier, entre autres, la conception et l'aspect.



Lire attentivement le manuel d'utilisation et assimiler son contenu avant d'utiliser la machine.

Ces instructions sont un complément au manuel qui accompagne la machine. Pour les autres instructions, se reporter au manuel d'utilisation de la machine.



AVERTISSEMENT!

En aucun cas, la conception d'origine de la machine ne doit être modifiée sans l'accord du fabricant. Toujours utiliser des pièces de rechange d'origine. Des modifications et/ou des pièces non autorisées peuvent entraîner des blessures graves, voire mortelles, pour l'utilisateur ou d'autres personnes.



AVERTISSEMENT!

Cet accessoire ne peut être utilisé que pour les débroussailleuses/coupebordures auxquels il est expressément destiné. Voir la section "Accessoires homologués" au chapitre Caractéristiques techniques dans le manuel d'utilisation de la machine.

La machine est construite uniquement pour le brossage des pelouses, des allées, des voies goudronnées et des surfaces similaires.

Sommaire

EXPLICATION DES SYMBOLES

Symboles 9

SOMMAIRE

Sommaire 10

CONSIGNES DE SECURITE

Equipement de protection personnelle 11

Consignes générales de sécurité 11

Instructions générales de travail 11

Techniques de travail de base 12

QUELS SONT LES COMPOSANTS?

Quels sont les éléments de la brosse? 13

MONTAGE

Montage du renvoi d'angle et des rouleaux de brosse 14

ENTRETIEN

Engrenage angulaire 15

Schéma d'entretien 15

CARACTERISTIQUES TECHNIQUES

Caractéristiques techniques 15

CONSIGNES DE SECURITE

Equipement de protection personnelle

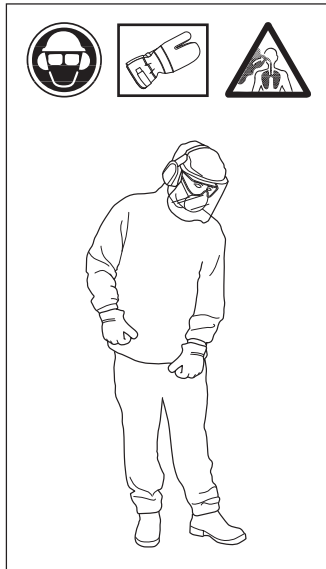
INFORMATION IMPORTANTE

- **Toute utilisation de la brosse exige l'utilisation d'un équipement de protection personnelle adéquat. L'équipement de protection personnelle n'élimine pas les risques d'accidents, mais réduit toutefois la gravité des blessures en cas d'accident.**

Consignes générales de sécurité

Protection personnelle

- Toujours porter des bottes ainsi que l'équipement de protection indiqué au chapitre "Equipement de protection personnelle" dans le manuel d'utilisation de la machine.
- Toujours porter des vêtements de travail et des pantalons longs résistants.
- Ne jamais porter des vêtements amples ou des bijoux.
- Il est recommandé aux personnes aux cheveux longs de les attacher, pour leur sécurité personnelle.
- Utiliser un masque de protection respiratoire.

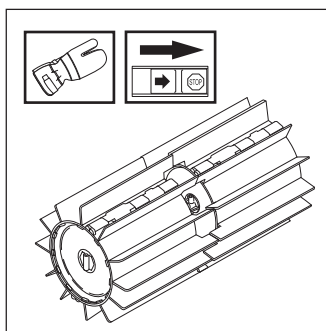


Consignes de sécurité pour l'entourage

- Ne jamais laisser un enfant utiliser la machine.
- S'assurer qu'aucune personne ne s'approche à moins de 15 m pendant le travail.
- Ne jamais laisser d'autres personnes utiliser la machine avant d'avoir vérifié que le contenu du manuel d'utilisation a été assimilé par ces personnes.

Consignes de sécurité avant la mise en service

- Inspecter la zone de travail. Retirer tous les objets tels que pierres, tessons de verre, clous, fil de fer, cordes, etc. pouvant être projetés par la brosse ou s'enrouler autour d'elle et la bloquer.
- Maintenir les enfants, animaux, spectateurs et aides à 15 m (50 pieds) de la zone de travail. Stopper la machine immédiatement si quelqu'un s'approche.
- Contrôler toute la machine avant de la mettre en service. Remplacer les pièces endommagées. S'assurer que le carburant ne fuit pas et que toutes les protections et carters ne sont pas endommagés et correctement fixés. Vérifier toutes les vis et écrous.



- Contrôler que les rouleaux de la brosse ne présentent pas de fissures ou d'autres dommages.

- Lors du réglage du carburateur, veiller à maintenir les rouleaux de la brosse contre le sol et à ce que personne ne se trouve à proximité.
- Vérifier que les rouleaux de la brosse s'arrêtent toujours au ralenti.
- S'assurer que la poignée et le dispositif de sécurité sont en bon état. Ne jamais utiliser la machine avec une pièce manquante ou ayant été modifiée.
- Utiliser la machine uniquement pour les travaux auxquels elle est destinée.

Instructions générales de travail

INFORMATION IMPORTANTE

- **Cette section concerne les règles de sécurité de base pour le travail avec la brosse.**
- **Dans l'éventualité d'une situation rendant le travail incertain, consulter un expert. S'adresser au revendeur ou à l'atelier de service.**
- **L'utilisateur doit éviter les utilisations pour lesquelles il n'est pas qualifié.**

Consignes de sécurité de base

1. Inspecter les environs:
 - Afin de s'assurer que ni personnes, ni animaux ou autres facteurs ne peuvent entraver le contrôle de la machine.
 - Pour éviter que les personnes et les animaux ne risquent d'être en contact avec la brosse ou des objets projetés.
 - **IMPORTANT!** Ne jamais utiliser une machine en l'absence de possibilités d'appeler au secours en cas d'accident.
2. Eviter d'utiliser la machine en cas d'intempéries. Par exemple, en cas de brouillard épais, fortes pluies, vents forts, grands froids, etc. Ce type d'intempéries, notamment le verglas, peut rendre les conditions de travail dangereuses.
3. S'assurer de pouvoir marcher et se tenir debout de manière sûre. Lors des déplacements inattendus, prendre garde aux obstacles éventuels (racines, cailloux, branches, fossés, etc). Faire preuve de beaucoup de prudence lors du travail sur des terrains en pente.
4. Arrêter le moteur pour se déplacer.
5. Ne jamais placer la machine sur le sol avec le moteur en marche sans pouvoir la surveiller.



CONSIGNES DE SECURITE

Techniques de travail de base

Consignes de sécurité pendant le travail

- Toujours adopter une position de travail sûre et stable.
- Toujours tenir la machine à deux mains. Porter la machine sur le côté droit du corps.
- Veiller à éviter tout contact des pieds et des mains avec la brosse quand le moteur tourne.
- Quand le moteur est arrêté, tenir les pieds et les mains loin de la brosse jusqu'à ce qu'elle s'arrête complètement.
- Toujours utiliser la brosse avec le moteur à plein régime.



- La brosse fonctionne de manière optimale quand les lamelles en caoutchouc peuvent glisser ou "passer" rapidement sur la surface de travail. Les rouleaux neufs ou récemment remplacés ayant tendance à se bloquer ou à traîner sur les surfaces dures, il convient de les faire tourner ou de les "roder" correctement avant de les utiliser. Le rodage s'effectue facilement en faisant tourner la machine à plein régime pendant 3 à 5 minutes dans des gravillons ou des matériaux meulants similaires. Une fois le rodage terminé, la brosse peut déplacer sans problème différents types de matériaux depuis la neige et l'eau jusqu'à des débris plus lourds tels que graviers ou copeaux de bois. Avec le temps, l'utilisateur apprend comment la brosse fonctionne mais il doit dès le début, toujours penser à la sécurité!
- Faire tourner le moteur au ralenti après chaque étape de travail. Une période prolongée de plein régime alors que le moteur n'est soumis à aucune charge (c'est-à-dire résistance exercée sur le moteur par l'intermédiaire de l'équipement de coupe) peut endommager sérieusement le moteur.
- En cas de fortes vibrations, arrêter la machine. Débrancher le câble d'allumage de la bougie. S'assurer que la machine n'est pas endommagée. Réparer les avaries éventuelles.



AVERTISSEMENT!

Attention aux objets projetés. Toujours porter une protection des yeux.

Ne jamais se pencher au-dessus du rouleau de la brosse. Des pierres, déchets ou autres objets peuvent être projetés dans les yeux, provoquant des blessures graves, voire la cécité.

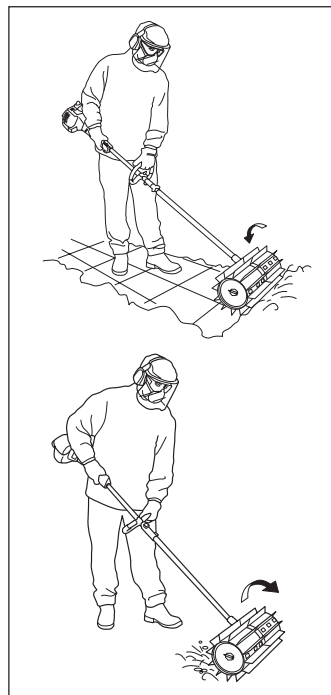
Maintenez autrui à distance. Enfants, animaux, spectateurs et aides doivent être maintenus à une distance de sécurité de 15 m (50 pieds). Arrêtez immédiatement la machine si quelqu'un s'approche.

Après l'utilisation, l'engrenage angulaire peut demeurer chaud pendant un certain temps. Risque de brûlures légères en cas de contact.

Utiliser la brosse à plein régime (ou presque) avec les lamelles en caoutchouc reposant sur la surface de travail.

REMARQUE! Il est à la fois fatigant et inutile de lever les lamelles en caoutchouc ou de les maintenir au-dessus de la surface de travail lors du travail.

Lors du nettoyage de petites surfaces, comme par exemple les trottoirs, la machine peut être utilisée de manière à ce qu'elle projette les débris droit devant l'utilisateur. En cas de travail sur des surfaces plus larges, il peut s'avérer nécessaire de travailler en angle afin que les lignes se forment sur le côté. Les lignes composées de débris légers peuvent être rassemblées en une seule ligne ou en un seul tas à ramasser plus tard. Par contre, il peut être nécessaire de rassembler les débris durs ou encombrants en plusieurs lignes. Pour atteindre les coins, il est recommandé de changer le sens de rotation en tournant la machine.



AVERTISSEMENT! Quand la machine est reculée, des débris sont projetés vers l'utilisateur. Toujours utiliser un rapport faible pour faire reculer la machine et ne jamais oublier qu'il est facile de trébucher sur des matériaux qui ont été projetés!

Maintenir un petit angle de travail.

Un grand angle de travail peut résulter en une perte de contrôle!



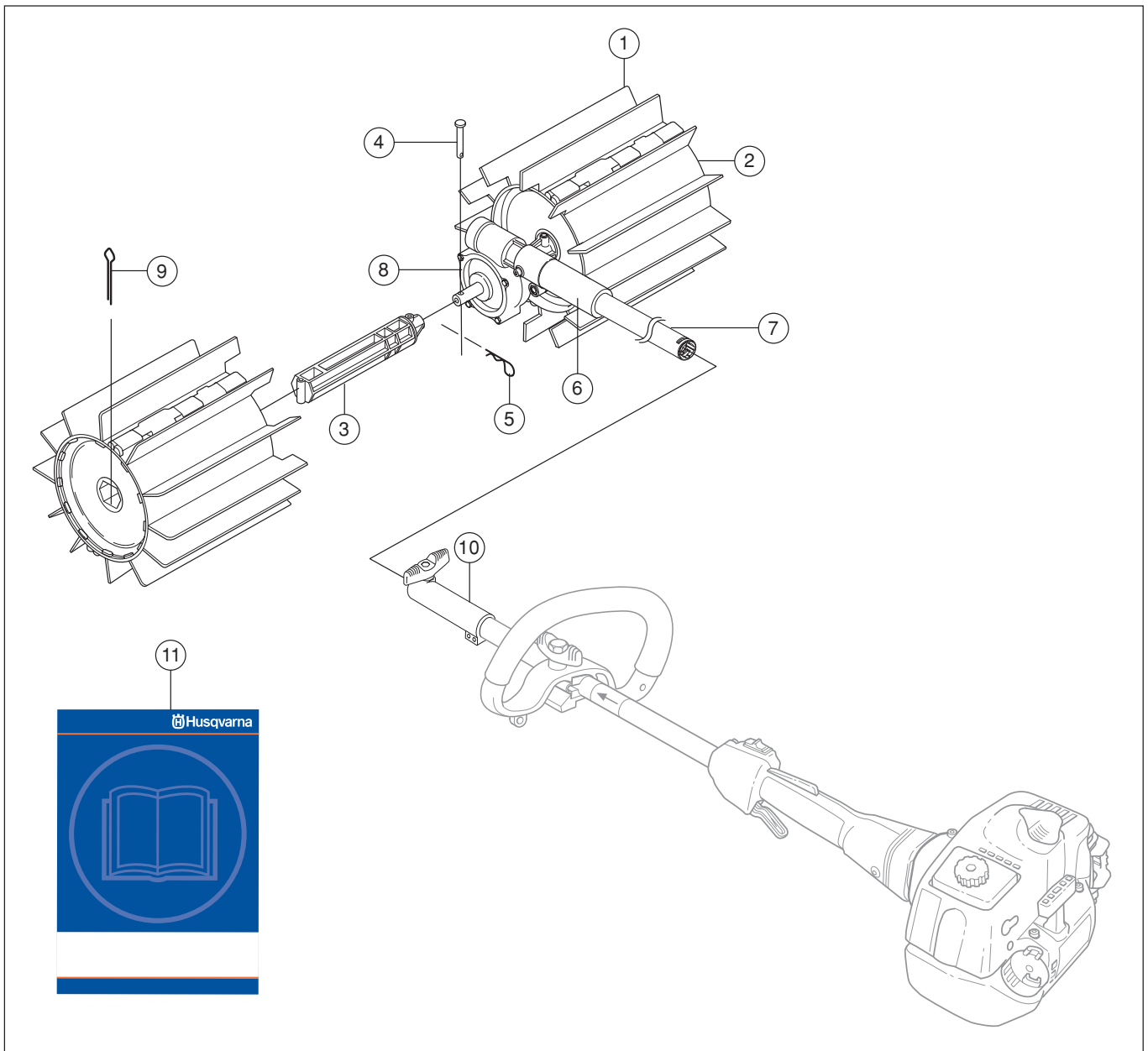
AVERTISSEMENT! Maintenir un petit angle de travail par rapport à la surface de travail! Si un grand angle de travail est utilisé, la brosse a tendance à se déplacer vers l'utilisateur, risquant ainsi de lui faire perdre le contrôle de la machine.

Les rouleaux de la brosse peuvent pivoter dès la mise en marche de la brosse! Toujours tenir solidement la machine lors de sa mise en marche. Attention aux objets pouvant se bloquer ou être projetés par les rouleaux de brosse lorsqu'ils tournent.

ATTENTION ! RISQUE DE PROJECTION D'OBJETS!

Même si les rouleaux de LA brosse n'ont pas la même puissance que, par exemple, les couteaux d'une tondeuse, éviter de travailler sur des matériaux pouvant blesser les personnes et endommager les biens lorsqu'ils sont projetés!

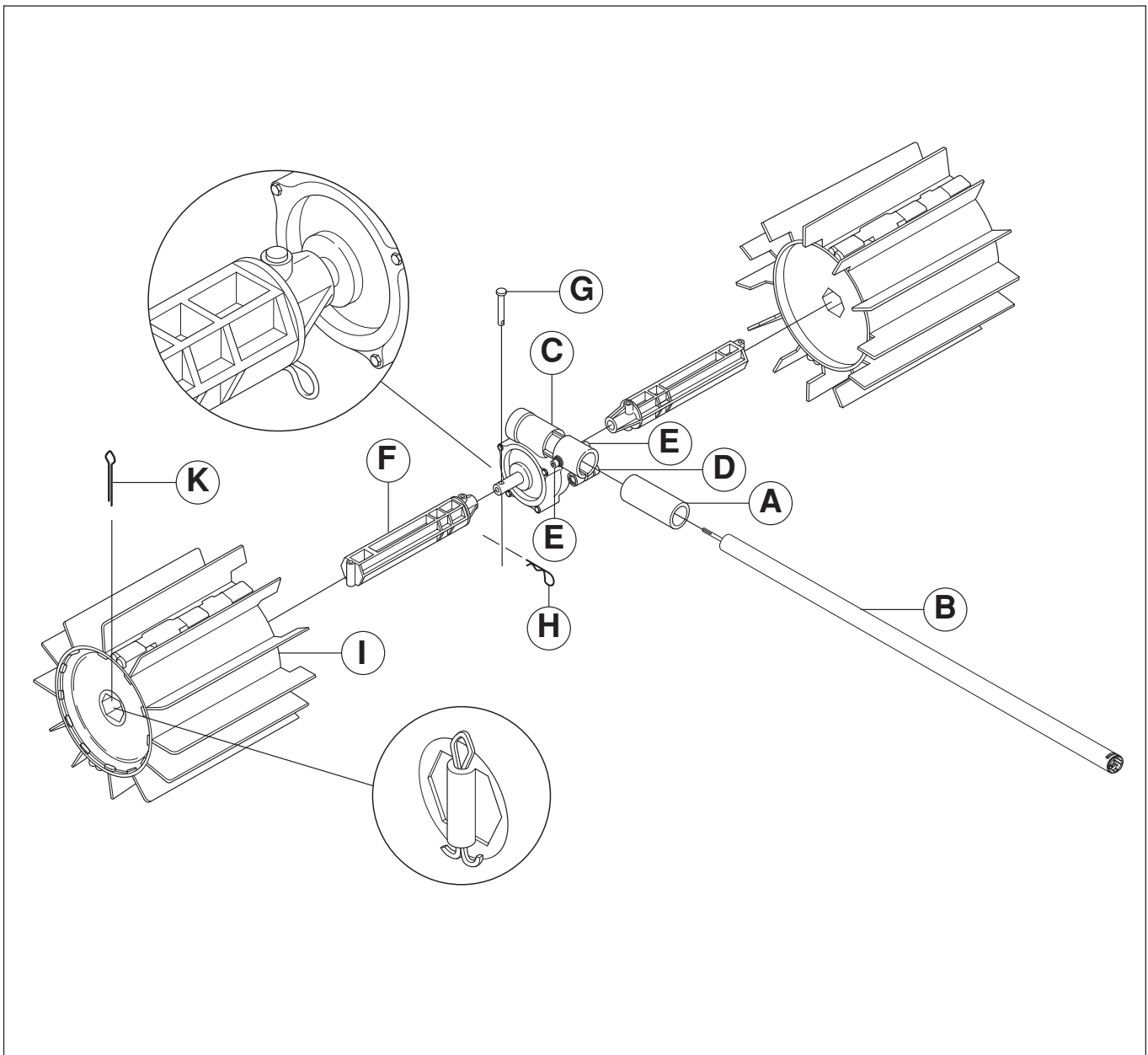
QUELS SONT LES COMPOSANTS?



Quels sont les éléments de la brosse?

1. Lamelle
2. Rouleau de brosse
3. Arbre de rouleau
4. Goupille
5. Ressort
6. Douille en plastique
7. Tube de transmission
8. Carter d'engrenage
9. Goupille fendue
10. Raccord du tube de transmission (Appartient à la machine de base)
11. Manuel d'utilisation

MONTAGE



1. Introduire la douille en plastique (protection contre l'usure) (A) sur le tube de transmission (B).
2. Monter le carter d'engrenage (C) sur le tube de transmission (B). Serrer la vis de serrage (D) sous le tube de transmission. Serrer les deux vis de blocage (E) sur le carter d'engrenage.
3. Enfoncer l'un des arbres de rouleau (F) sur un des deux arbres d'entraînement sortant du carter d'engrenage. Si nécessaire, faire pivoter l'arbre du rouleau jusqu'à ce que le trou de la goupille se retrouve sur le trou correspondant de l'arbre d'entraînement.
4. Attacher l'arbre du rouleau sur l'arbre d'entraînement à l'aide d'une goupille (G) et d'un ressort (H).
5. Passer un des rouleaux de brosse (I) sur l'arbre ainsi monté. L'extrémité avec les lamelles de caoutchouc extra-longues doit être montée près du carter d'engrenage. Enfoncer le rouleau jusqu'à ce qu'il bute sur la goupille.
6. Attacher le rouleau sur l'arbre à l'aide d'une goupille fendue (K) (voir l'illustration). La goupille fendue doit être placée tout contre l'extrémité extérieure du rouleau. Il peut donc s'avérer nécessaire d'appuyer quelque peu sur la paroi lors du montage. Ouvrir les pattes de la goupille fendue comme indiqué sur l'illustration afin de maintenir en place le rouleau de la brosse.
7. Répéter de nouveau les points 1-7 pour monter l'arbre et le rouleau sur le côté opposé.

REMARQUE! Les rouleaux sont identiques mais doivent tous les deux être montés avec les lamelles en caoutchouc extra-longues contre le carter d'engrenage.

Engrenage angulaire

L'engrenage angulaire est enduit à l'usine de la quantité de graisse nécessaire.

En général, il n'est pas nécessaire de remplacer le lubrifiant du carter, sauf en cas de réparations.

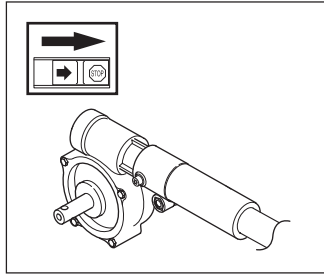


Schéma d'entretien

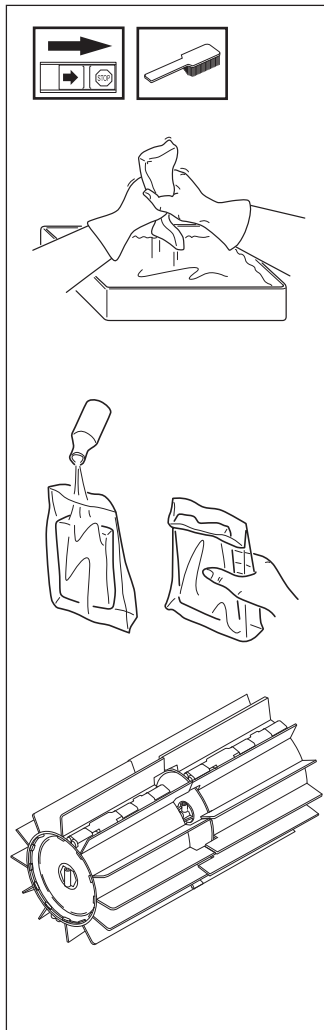
Quelques instructions générales d'entretien sont données ci-dessous. Pour plus d'informations, contacter l'atelier de service.

Information importante

Les travaux avec la brosse sont souvent effectués dans des environnements poussiéreux. Il est essentiel d'effectuer régulièrement l'entretien du filtre à air, parfois tous les jours. Le filtre à air doit être huilé pour fonctionner de manière satisfaisante.

Contrôles quotidiens

- Huilage du filtre à air**
 Toujours utiliser l'huile pour filtre HUSQVARNA, référence 503 47 73-01. L'huile pour filtre contient un solvant permettant une distribution régulière de l'huile dans tout le filtre. Eviter donc tout contact avec la peau. Mettre le filtre dans un sac en plastique et verser l'huile pour filtre dessus. Pétrir le sac en plastique pour faire pénétrer l'huile dans le filtre et jeter le surplus d'huile. Remonter le filtre. Ne jamais utiliser d'huile moteur ordinaire. Elle traverse le filtre très vite et s'accumule au fond.
- Contrôler que les rouleaux des brosses ne tournent pas au ralenti.
- Contrôler que les rouleaux de la brosse ne sont pas endommagés et ne comportent pas de fissures. Remplacer les rouleaux si nécessaire.



Caractéristiques techniques

Poids, kg	5,2
Régime max.	262 rpm/4,4 rps
Largeur des rouleaux de balayage	575 mm
Diamètres des rouleaux de balayage	270 mm

SIGNIFICADO DE LOS SÍMBOLOS

Símbolos



ATENCIÓN: ¡La barredora puede ser peligrosa!
Su uso negligente o erróneo puede causar heridas graves o mortales al operador o terceros.



Lea detenidamente el manual de instrucciones y comprenda su contenido antes de utilizar la barredora.



Utilice siempre:

- Casco protector cuando exista el riesgo de objetos que caen
- Protección auditiva
- Protección ocular homologada



Este producto cumple con la directiva CE vigente.



Use máscara respiratoria.



El operador de la máquina debe cuidar que ninguna persona o animal se acerque más de 15 metros durante el trabajo.



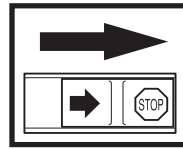
Marcas de flechas que indican los límites para colocar la sujeción del mango.



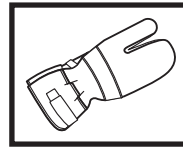
Utilice siempre guantes protectores homologados.



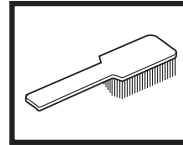
Utilice botas antideslizantes y seguras.



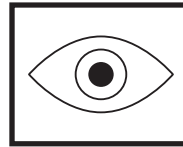
Cualquier tipo de control o medida de mantenimiento debe efectuarse con el motor desactivado, con el mando de parada en la posición STOP.



Utilice siempre guantes protectores homologados.



Utilice siempre guantes protectores homologados.



Control visual.



Debe utilizarse protección ocular homologada.

Los demás símbolos/pegatinas que aparecen en la máquina corresponden a requisitos de homologación específicos en determinados mercados.

CONTENIDO

Husqvarna AB trabaja constantemente para perfeccionar sus productos y se reserva, por lo tanto, el derecho a introducir modificaciones en la construcción y el diseño sin previo aviso.



Antes de utilizar la máquina lea bien el manual de instrucciones hasta comprender su contenido.

Estas instrucciones son complemento del manual que se adjunta a la máquina. Para más información sobre el manejo, consultar el manual de la máquina



ATENCIÓN: El diseño original de la máquina no debe ser modificado por ningún motivo sin la autorización explícita del fabricante. Utilice siempre accesorios originales. Las modificaciones o accesorios no autorizados pueden ocasionar heridas graves y mortales al operador o terceros.



ATENCIÓN: Este accesorio sólo puede ser utilizado con las desbrozadoras/recortadoras destinadas al mismo, vea "Accesorios aprobados" en el capítulo Datos técnicos del manual de instrucciones de la máquina.

La máquina solamente está diseñada para barrer céspedes, senderos, pasadizos asfaltados y similares.

Índice

SIGNIFICADO DE LOS SÍMBOLOS

Símbolos 16

Contenido

Índice 17

INSTRUCCIONES DE SEGURIDAD

Equipo de protección personal 18

Instrucciones generales de seguridad 18

Instrucciones generales de trabajo 18

Técnica básica de trabajo 19

¿QUÉ ES QUE?

Componentes de la barredora 20

MONTAJE

Montaje del reductor angular y los cilindros barredores ... 21

MANTENIMIENTO

Reductor angular 22

Plan de mantenimiento 22

DATOS TÉCNICOS

Datos técnicos 22

INSTRUCCIONES DE SEGURIDAD

Equipo de protección personal

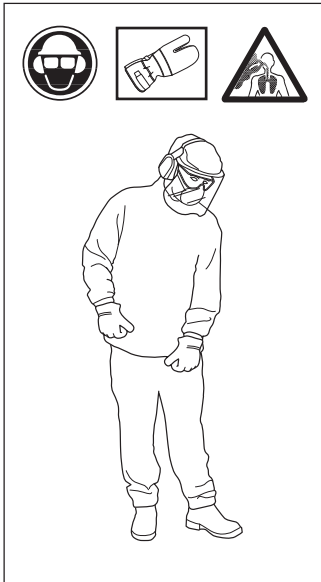
INFORMACIÓN IMPORTANTE

- Para trabajar con la máquina se debe emplear un equipo de protección personal aprobado. El equipo de protección personal no elimina el riesgo de daños, pero reduce el efecto de los mismos en caso de accidente. El concesionario Husqvarna puede asesorarle para elegir equipo de protección.

Instrucciones generales de seguridad

Protección personal

- Utilice siempre botas y además, el equipo indicado en la sección "Equipo de protección personal" del manual de instrucciones de la máquina.
- Utilice siempre indumentaria de trabajo y pantalones largos fuertes.
- No utilice nunca ropas amplias ni joyas.
- Las personas que tengan cabellos largos, deben levantarlo como medida de seguridad personal.
- Use máscara respiratoria.

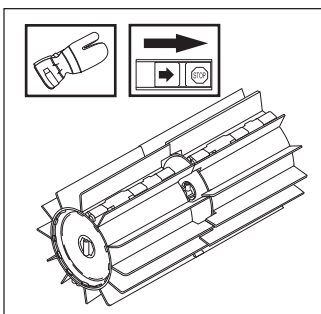


Instrucciones de seguridad para el entorno

- No permita nunca que los niños utilicen la máquina.
- Controle que nadie se acerque a menos de 15 metros durante el trabajo.
- No permita que otros utilicen la máquina sin asegurarse primero de que hayan comprendido el contenido del manual de instrucciones.

Instrucciones de seguridad antes de arrancar

- Inspeccione la zona de trabajo. Retire todos los objetos sueltos como piedras, cristales rotos, clavos, alambres, cordeles, etcétera, que pueden ser proyectados por la barredora o enredarse en ella.
- Mantenga alejados a terceros. Los niños, animales, curiosos y ayudantes deben mantenerse fuera de la zona de seguridad de 15 metros. Pare la máquina inmediatamente si alguien se acerca.
- Controle toda la máquina antes de arrancar. Cambie las piezas defectuosas. Controle que no haya fuga de combustible y que todas las protecciones y tapas estén en buenas condiciones y bien fijadas. Controle todos los tornillos y tuercas.



- Revise los cilindros barredores para comprobar que no tengan grietas ni daños de otro tipo.

- Haga el ajuste del carburador con los cilindros barredores sobre el suelo y procurando que no haya personas cerca.
- Compruebe que los cilindros barredores siempre se paren cuando el motor funciona en ralentí.
- Controle que los mangos y la función de seguridad estén en orden. No utilice nunca una máquina a la que le falte una parte o que haya sido modificada y no coincida con las especificaciones.
- Utilice la máquina solamente para lo que está destinada.

Instrucciones generales de trabajo

INFORMACIÓN IMPORTANTE

- Este capítulo trata las reglas de seguridad fundamentales para trabajar con la barredora.
- Siempre que se encuentre en situaciones que le crean inseguridad por lo que respecta al empleo de la máquina, consulte con un experto. Diríjase a su concesionario o a su taller de servicio.
- Evite todo uso para el cual no se sienta suficientemente calificado.

Reglas básicas de seguridad

1. Observe el entorno para:

- Comprobar que no haya personas, animales, etc., que puedan influir en su control de la máquina.
- Asegúrese de que no hay riesgo alguno de que los anteriores entren en contacto con la barredora o puedan ser alcanzados por objetos proyectados.
- ¡ATENCIÓN! No use nunca una máquina si no tiene posibilidad de pedir auxilio en caso de accidente.

2. No utilice la máquina en climáticas adversas. Por ejemplo, en caso de niebla, lluvia intensa, viento intenso, frío intenso, etc. El trabajo con mal tiempo es agotador y puede crear condiciones peligrosas, por ejemplo suelo resbaladizo.

3. Asegúrese de que puede caminar y permanecer de pie de forma segura. Vea si hay obstáculos que puedan dificultar un desplazamiento imprevisto (raíces, piedras, ramas, agujeros, zanjas, etc.). Proceda con sumo cuidado al trabajar en pendientes.

4. Para desplazar la máquina debe pararse el motor.

5. No apoye nunca la máquina con el motor en marcha sin tenerla bajo control.



INSTRUCCIONES DE SEGURIDAD

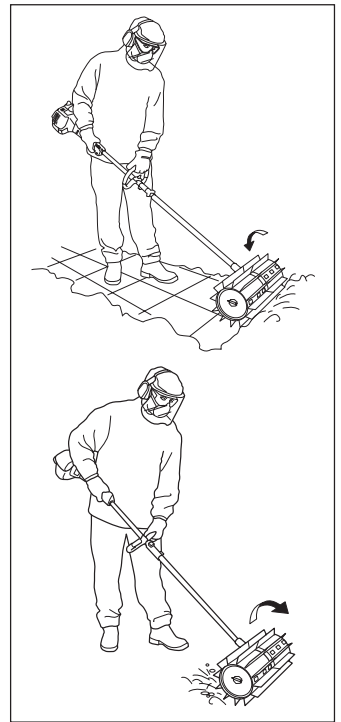
Técnica básica de trabajo

Instrucciones de seguridad durante el trabajo

- Debe tener siempre una posición de trabajo segura y firme.
- Utilice siempre las dos manos para sostener la máquina. Mantenga la máquina en el lado derecho de su cuerpo.
- Procure que las manos y los pies no entren en contacto con la barredora cuando el motor está en marcha.
- Después de parar el motor, mantenga las manos y los pies apartados de la barredora hasta que ésta se haya parado del todo.
- Use siempre plena aceleración para trabajar con la barredora.
- El resultado óptimo de la barredora se obtiene cuando las láminas de goma se deslizan o "estriegan" sobre la superficie de trabajo. Los cilindros de barredora nuevos o cambiados tienden a atascarse o arrastrarse sobre superficies duras. Por consiguiente, antes de usarlos hay que rodarlos o "gastarlos" bien. El rodaje se hace fácilmente haciendo funcionar la máquina a plena aceleración durante 3-5 minutos sobre grava suelta o un material abrasivo similar. Después del rodaje, la barredora puede mover sin dificultad diversos materiales, desde nieve y agua hasta objetos más pesados como grava o astillas de madera. Con el tiempo, usted aprenderá el funcionamiento de la barredora, pero es importante que piense en la seguridad desde el principio.
- Suelte el acelerador para dejar el motor en ralentí después de cada fase de trabajo. La plena aceleración sin carga del motor (es decir, sin la resistencia derivada del equipo de corte) puede causar averías graves del motor.
- Si hay vibraciones fuertes, pare la máquina. Desconecte el cable de encendido de la bujía. Compruebe que la máquina no esté dañada. Repare eventuales daños.



Para limpiar superficies estrechas, como aceras, la máquina se puede usar de forma que empuje la suciedad por delante. Para limpiar superficies anchas puede ser necesario trabajar en ángulo para acumular la suciedad en un lado. Los materiales ligeros se pueden acumular formando una hilera o pila para su posterior recogida, en tanto que los materiales duros o voluminosos pueden requerir varias hileras. Para limpiar en rincones, se puede cambiar el sentido de rotación girando la máquina.



¡ADVERTENCIA!

Al girar la máquina, la suciedad es lanzada hacia atrás contra el usuario. Utilice una velocidad más baja para hacer retroceder la máquina y recuerde que es fácil tropezar sobre el material lanzado por la misma.

Utilice un ángulo de trabajo pequeño.

Un ángulo de trabajo grande puede hacerle perder el control.



¡ADVERTENCIA!

Peligro de objetos lanzados. Utilice siempre gafas protectoras. No se apoye nunca sobre el cilindro de la barredora. Hay riesgo de lanzamiento de piedras, residuos, etcétera, contra los ojos, causando ceguera o daños graves. Mantenga apartado al público. Los niños, animales, espectadores y ayudantes deben estar fuera de la zona de seguridad de 15 m. Pare la máquina de inmediato si se acerca alguien. Durante el trabajo y por un momento después del mismo, el reductor angular puede estar caliente. Hay riesgo de quemaduras leves en caso de contacto.

Haga funcionar la barredora a aceleración plena (o casi plena), con las placas de goma reposando sobre la superficie.

¡ATENCIÓN!

Es fatigoso e innecesario levantar las placas de goma o mantenerlas separadas de la superficie al trabajar.



¡ADVERTENCIA!

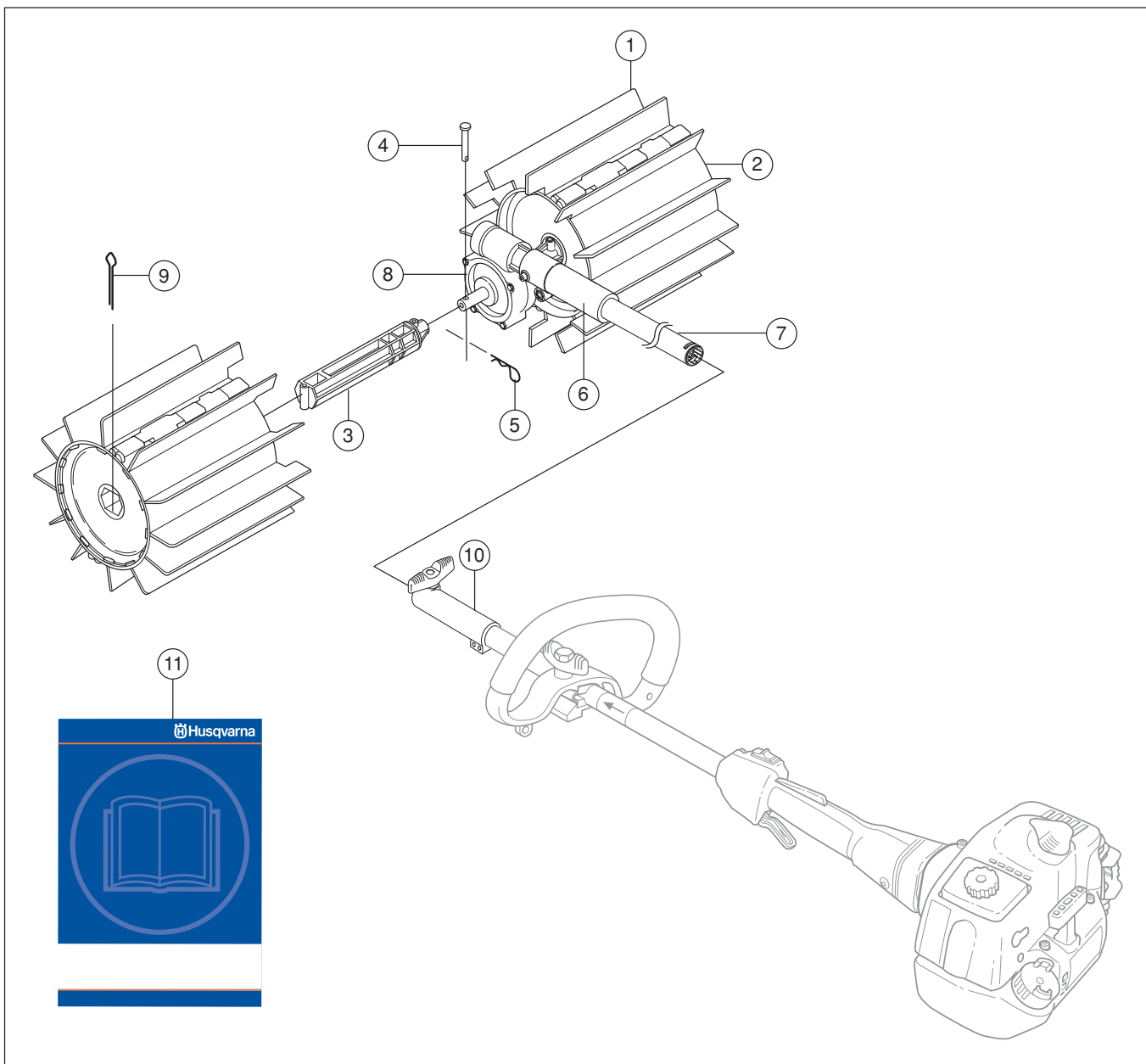
Mantenga un ángulo de trabajo pequeño contra la superficie. Con un ángulo de trabajo grande, la barredora tiende a moverse hacia usted, con el riesgo consiguiente de hacerle perder el control de la máquina.

Los cilindros barredores pueden girar cuando se pone en marcha la máquina. Sujete bien la máquina al ponerla en marcha. Tenga cuidado con los objetos que pueden atascarse o ser proyectados por los cilindros barredores cuando giran.

TENGA SIEMPRE CUIDADO CON LOS OBJETOS PROYECTADOS.

Aunque los cilindros barredores no tienen la misma fuerza que, por ejemplo, una cuchilla de cortacésped, evite trabajar con materiales que puedan causar daños personales o materiales al ser proyectados.

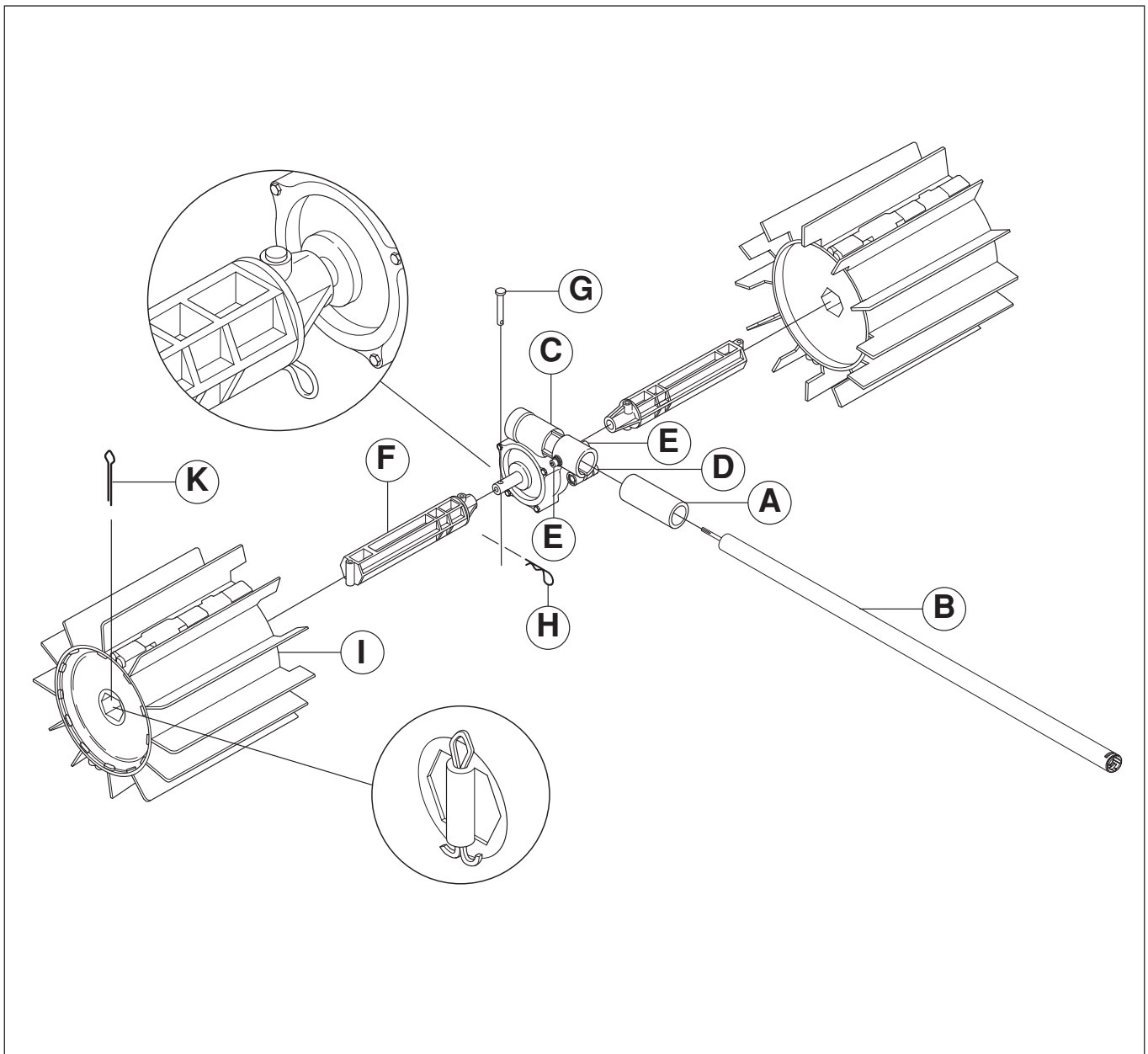
¿QUÉ ES QUÉ?



Componentes de la barredora

1. Placa
2. Cilindro barredor
3. Eje de cilindro
4. Pasador
5. Pasador de seguridad
6. Manguito de plástico
7. Tubo
8. Caja del reductor
9. Pasador abierto
10. Acoplamiento del tubo (Pertenece a la máquina básica)
11. Manual de instrucciones

MONTAJE



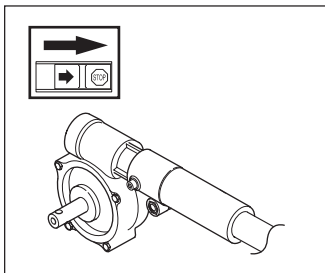
1. Coloque el manguito de plástico (protección contra desgaste) (A) en el tubo (B).
2. Monte la caja del reductor (C) en el tubo (B). Apriete el tornillo de fijación (D), debajo del tubo. Apriete los dos tornillos de fijación (E) de la caja del reductor.
3. Presione uno de los ejes de cilindro (F) en uno de los dos ejes motrices salientes de la cala del reductor. Si es necesario, haga girar el eje del cilindro hasta que el agujero del pasador quede encima del agujero equivalente del eje motriz.
4. Fije el eje del cilindro en el eje motriz con el pasador (G) y el pasador de seguridad (H).
5. Coloque uno de los cilindros barredores (I) en el eje montado. El extremo con las placas de goma alargadas debe montarse junto a la caja del reductor. Presione el cilindro barredor hasta que toque en el pasador.
6. Fije el cilindro en el eje con un pasador abierto (K) (vea la figura). El pasador abierto debe estar en contacto con el extremo exterior del cilindro, por lo que puede ser necesario presionar un poco el lado al montar. Abra las patas del pasador como en la figura para asegurar la fijación del cilindro.
7. Repita los puntos 1-7 para montar el eje y el cilindro en el otro lado.

¡ATENCIÓN!
Los cilindros, aunque son idénticos, deben montarse con las placas de goma alargadas contra la caja del reductor.

Reductor angular

El engranaje angulado se entrega de fábrica con la cantidad adecuada de grasa.

Generalmente, el lubricante de la caja del reductor no requiere cambiarse excepto cuando se realizan reparaciones.



Plan de mantenimiento

Las siguientes son instrucciones generales de mantenimiento. Si necesita más información, póngase en contacto con el servicio oficial.

Información importante

El trabajo con la barredora suele hacerse en condiciones polvorientas. Por consiguiente es sumamente importante efectuar regularmente el mantenimiento del filtro de aire, normalmente a diario. El filtro de aire debe aceitarse para que funcione satisfactoriamente.

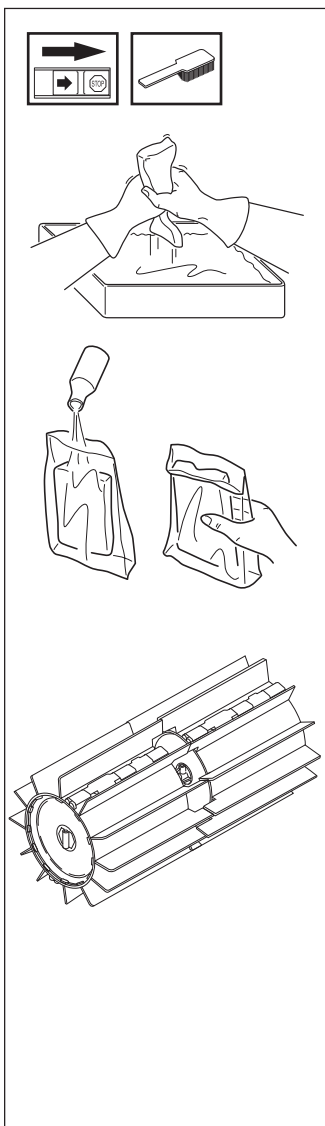
Control diario

1. Impregnación del filtro de aire

Utilice siempre aceite para filtros de HUSQVARNA, ref. n° 503 47 73-01. El aceite para filtros contiene disolvente para facilitar su distribución uniforme en el filtro, evite por lo tanto su contacto con la piel. Introduzca el filtro en la bolsa de plástico y vierta el aceite para filtros. "Masajee" la bolsa para distribuir el aceite. Apriete el filtro en la bolsa y tire el exceso de aceite antes de colocar el filtro en la máquina. No utilice nunca aceite común para motores, ya que éste desciende bastante rápido a través del filtro, depositándose en el fondo.

2. Compruebe que los cilindros barredores no giren en ralentí.

3. Compruebe que los cilindros barredores estén intactos y que no tenga grietas. Cambie los cilindros barredores si es necesario.



Datos técnicos

Peso, kg	5,2
Régimen máx.	262 r.p.m./4,4 r.p.s.
Anchura de cilindro barredor	575 mm
Diámetro de cilindro barredo	270 mm



114 00 88-20



Free Manuals Download Website

<http://myh66.com>

<http://usermanuals.us>

<http://www.somanuals.com>

<http://www.4manuals.cc>

<http://www.manual-lib.com>

<http://www.404manual.com>

<http://www.luxmanual.com>

<http://aubethermostatmanual.com>

Golf course search by state

<http://golfingnear.com>

Email search by domain

<http://emailbydomain.com>

Auto manuals search

<http://auto.somanuals.com>

TV manuals search

<http://tv.somanuals.com>