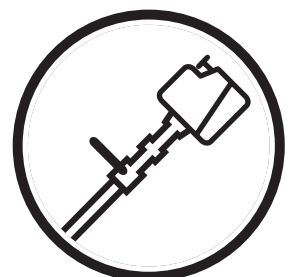


GB Operator's manual **HEDGE TRIMMER ATTACHMENT**
FR Manuel d'utilisation **COMPLÉMENT TAILLE-HAIE**
ES Manual de instrucciones **TIJERAS CORTASETOS (SUPLEMENTO)**

Please read these instructions carefully and make sure you understand them before using the machine.

Lire attentivement et bien assimiler le manuel d'utilisation avant d'utiliser la machine.

Lea detenidamente el manual de instrucciones y asegúrese de entender su contenido antes de utilizar la máquina.



GB FR ES

SYMBOL EXPLANATION

Symbols



WARNING! The hedge trimmer can be dangerous!
Careless or incorrect use can result in serious, even fatal injury.



Read through the Operator's Manual carefully and understand the content before using the hedge trimmer.



Always use

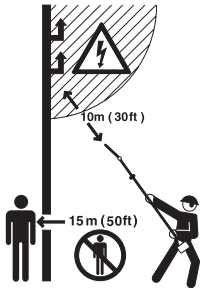
- Ear protection
- Approved eye protection



This product is in accordance with applicable CE directives.



Cutting tool. Do not touch the tool without first switching off the engine.



This machine is not electrically insulated. If the machine touches or comes close to high-voltage power lines it could lead to death or serious injury. Electricity can jump from one point to another by arcing. The higher the voltage, the greater the distance electricity can jump. Electricity can also travel through branches and other objects, especially if they are wet. Always keep a safe distance of at least 10 m (30 ft) between the machine and high-voltage power lines and/or any objects that are touching them. If you need to work closer than this always contact the relevant power company to make sure the power is switched off before you start work. The machine can be dangerous. Make sure that no people or animals come closer than 15 m (45 ft) when the machine is running.



Arrows which show limits for handle mounting.

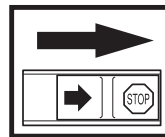


Always wear approved protective gloves.

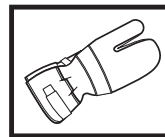


Use anti-slip and stable boots.

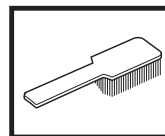
Other symbols/decals on the machine refer to special certification requirements for certain markets.



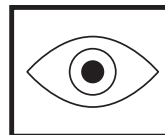
Checks and/or maintenance should be carried out with the engine switched off, with the stop switch in the STOP position.



Always use approved protective gloves.



Regular cleaning required.



Ocular control.



Approved eye protection must always be used.

CONTENTS

Husqvarna AB has a policy of continuous product development and therefore reserves the right to modify the design and appearance of products without prior notice.



Read through the Operator's manual carefully and understand the content before using the machine.

These instructions supplement the instructions that were included with the machine. For other procedures, please refer to the operating instructions for the machine.



WARNING!

Under no circumstances may the design of the machine be modified without the permission of the manufacturer. Always use genuine accessories. Non-authorized modifications and/or accessories can result in serious personal injury or the death of the operator or others.



WARNING!

This accessory may only be used together with the intended clearing saw/trimmer, see under heading "Approved accessories" in chapter Technical data in the machine's Operator's Manual.

The machine is only designed for cutting branches and twigs.

List of contents

SYMBOL EXPLANATION

Symbols 2

CONTENTS

List of contents 3

SAFETY INSTRUCTIONS

The machine's protective equipment 4

Control, maintenance and service of the hedge trimmer's protective equipment 4

Safety instructions when using the hedge trimmer 5

WHAT IS WHAT?

What is what on the hedge trimmer attachment? 7

ASSEMBLY

Fitting the hand guard and loop handle 8

Fitting the cutting attachment 8

START AND STOP

Control before starting 8

MAINTENANCE

Carburetor 9

Gearbox 10

Lubrication 10

Maintenance schedule 11

TECHNICAL DATA

Technical Data 11

SAFETY INSTRUCTIONS

The machine's protective equipment

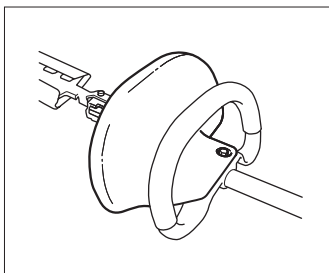
This section describes the hedge trimmer's protective equipment, its function and how checks and maintenance are carried out to ensure that it operates correctly. (See the chapter "What is what" to locate where this equipment is positioned on your machine.)



WARNING!
Never use a hedge trimmer with defective protective equipment. Follow the control, maintenance and service instructions described in this section.

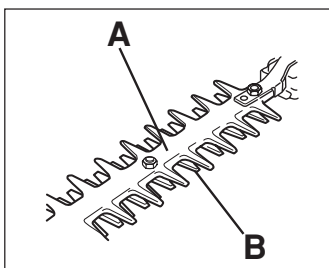
1. Hand guard

The hand guard is intended to protect the hand from coming into contact with the working blades. For example, if the user loses his grip on the front handlebars.



2. Blade guard

The blade guard (A) is intended to protect against any part of the body coming into contact with the blades (B).



Control, maintenance and service of the hedge trimmer's protective equipment



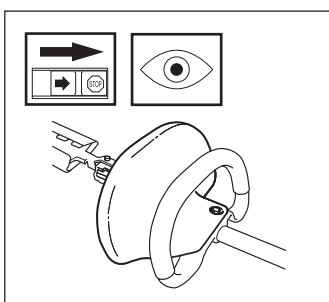
WARNING!
Never use a machine with defective safety equipment. The safety equipment should be maintained as described in this section. If your machine does not meet any of these controls you should contact your service workshop.



WARNING!
Always stop the engine before starting work on any part of the cutting equipment. This continues to rotate even after the throttle has been released. Ensure that the cutting equipment has stopped completely and remove the cable from the spark plug before you start to work on it.

1. Hand guard

- Ensure that the blade guard is fitted correctly.
- Make sure the hand guard is not damaged in anyway.



2. Blades

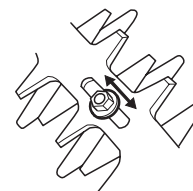
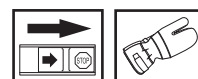
To ensure good cutting results it is important that the contact pressure between the blades is correct.

The contact pressure between the blades is adjusted by tightening the screws on the underside of the bar as far as they will go, then backing them off 1/4 turn. Lock the screws using the locking nuts on the top face of the bar. The washers should still slide freely under the screw heads after the screws have been tightened.

When the blades are correctly adjusted the play between the blades should be 0.2–0.4 mm, measured at the screws.

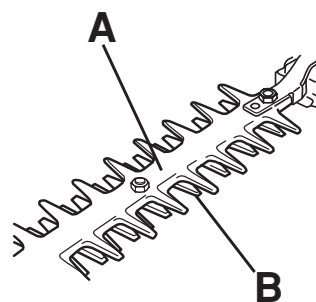
The edges of the blade are too hard to be filed. Dull blades should be sharpened using a grinder.

Replace the blades if they are bent or damaged.



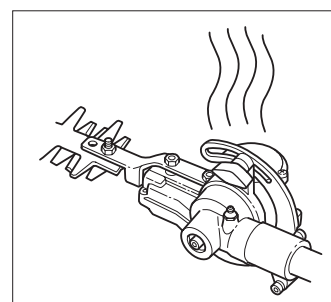
3. Blade guard

- Check that the blade guard is not damaged or distorted.
- Replace the blade guard if it is bent or damaged.



4. Gearbox

- The gearbox gets hot when the hedge trimmer is in use. To avoid burning yourself do not touch the gearbox.



SAFETY INSTRUCTIONS

Safety instructions when using the hedge trimmer



WARNING!
The hedge trimmer can cause serious personal injury. Read the safety instructions carefully. Learn how to use the machine.

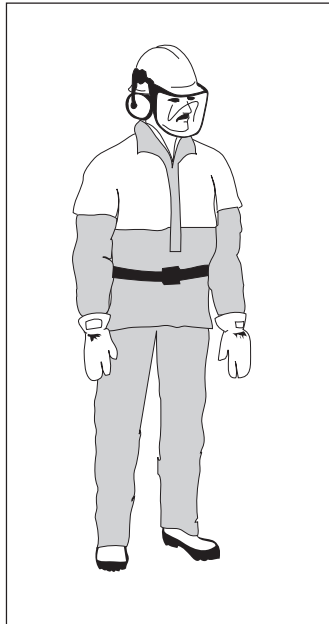


WARNING!
Cutting blades.
Do not touch the blades without first switching off the engine.

NOTE! Read the Operator's Manual carefully before using the hedge trimmer.

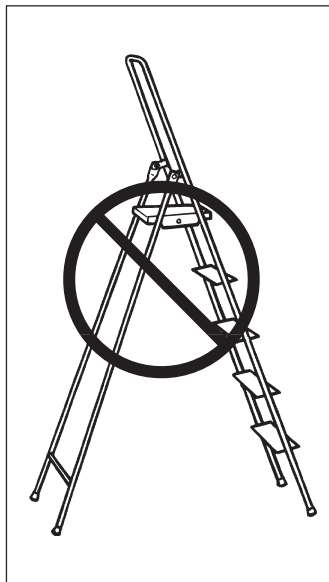
Personal protection

- Always wear boots, and the other safety equipment described in the section "Personal protective equipment" in the machine's Operator's Manual.
- Always wear working clothes and thick, long trousers.
- Never wear loose fitting clothes or jewellery
- Secure hair so it is above shoulder level.



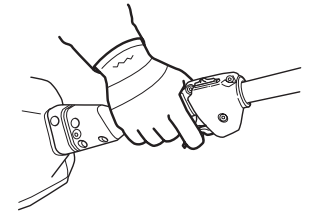
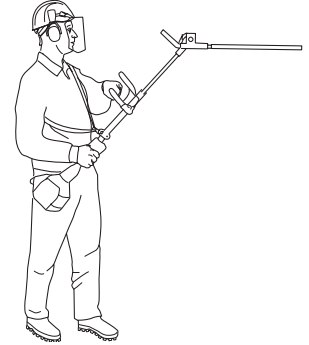
Protective instructions regarding the surroundings

- Never allow children to use the machine.
- Ensure no one comes within 15 metres while working.
- Never allow anyone to use the machine without first being absolutely sure that they understand the contents of the Operator's Manual.
- Never work on a ladder, stool or any other raised position that is not fully secured.



Protective instructions while working

- Always ensure you have a safe and firm working position.
- Always use both hands to hold the machine. Hold the machine on the side of the body.
- Use your right hand to operate the throttle.
- Make sure that your hands and feet cannot come into contact with the blades when the engine is running.
- When the engine is switched off, keep your hands and feet away from the blades until they have stopped.
- Watch out for stumps of branches that can be thrown out during cutting.
- Always lay the hedge trimmer on the ground when you are not using it.

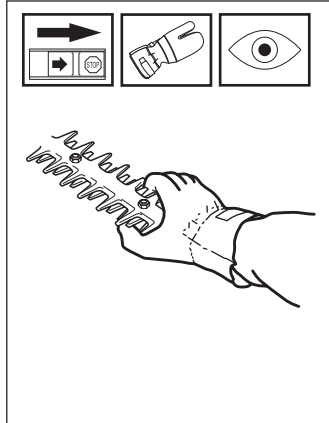


- Do not cut too close to the ground. Stones and other objects can be thrown.
- Check the hedge you intend to trim for foreign objects such as electricity cables, insects and animals, etc, and for other objects that could damage the cutting attachment, such as metal items.
- If any object is hit or if vibrations occur stop the machine immediately. Remove the spark plug cable from the spark plug. Check that the machine is not damaged. Repair any damage.
- If anything jams in the blades while you are working, switch off the engine and wait until it has stopped completely before cleaning the blades. Disconnect the HT lead from the spark plug.

SAFETY INSTRUCTIONS

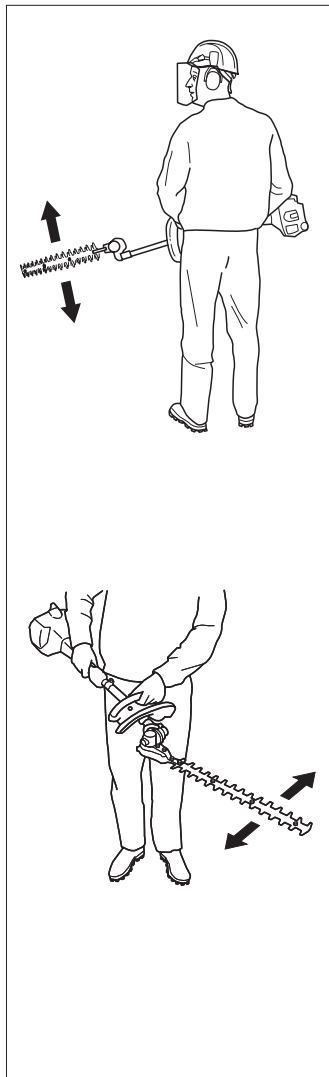
Protective instructions when work is completed

- The transport guard should always be fitted to the blades when the machine is not in use.
- Ensure the blades have stopped and remove the spark plug cable from the spark plug before carrying out cleaning, repairs or an inspection.
- Always wear heavy duty gloves when repairing the blades. The blades are extremely sharp and can easily cause cuts.
- Store the machine out of reach from children.
- Only use original spare parts when carrying out repairs.



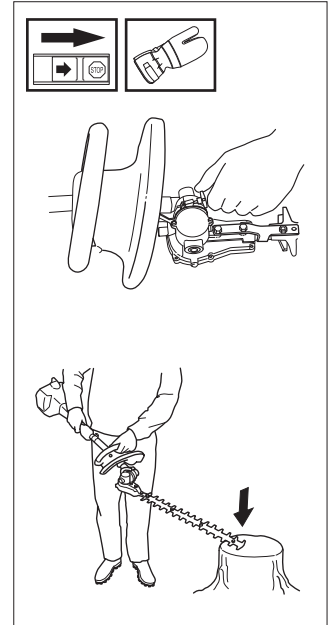
Basic working techniques

- Work with a swinging action from the bottom upwards when trimming sides.
- Adapt the throttle according to resistance.
- When trimming a hedge the engine should always be turned **away** from the hedge.
- The hedge trimmer should be held as close to the body as possible to get the best balance.
- Make sure that the tip does not touch the ground.
- Do not try to force the work, but move at a steady speed so that all the stems are cut evenly.



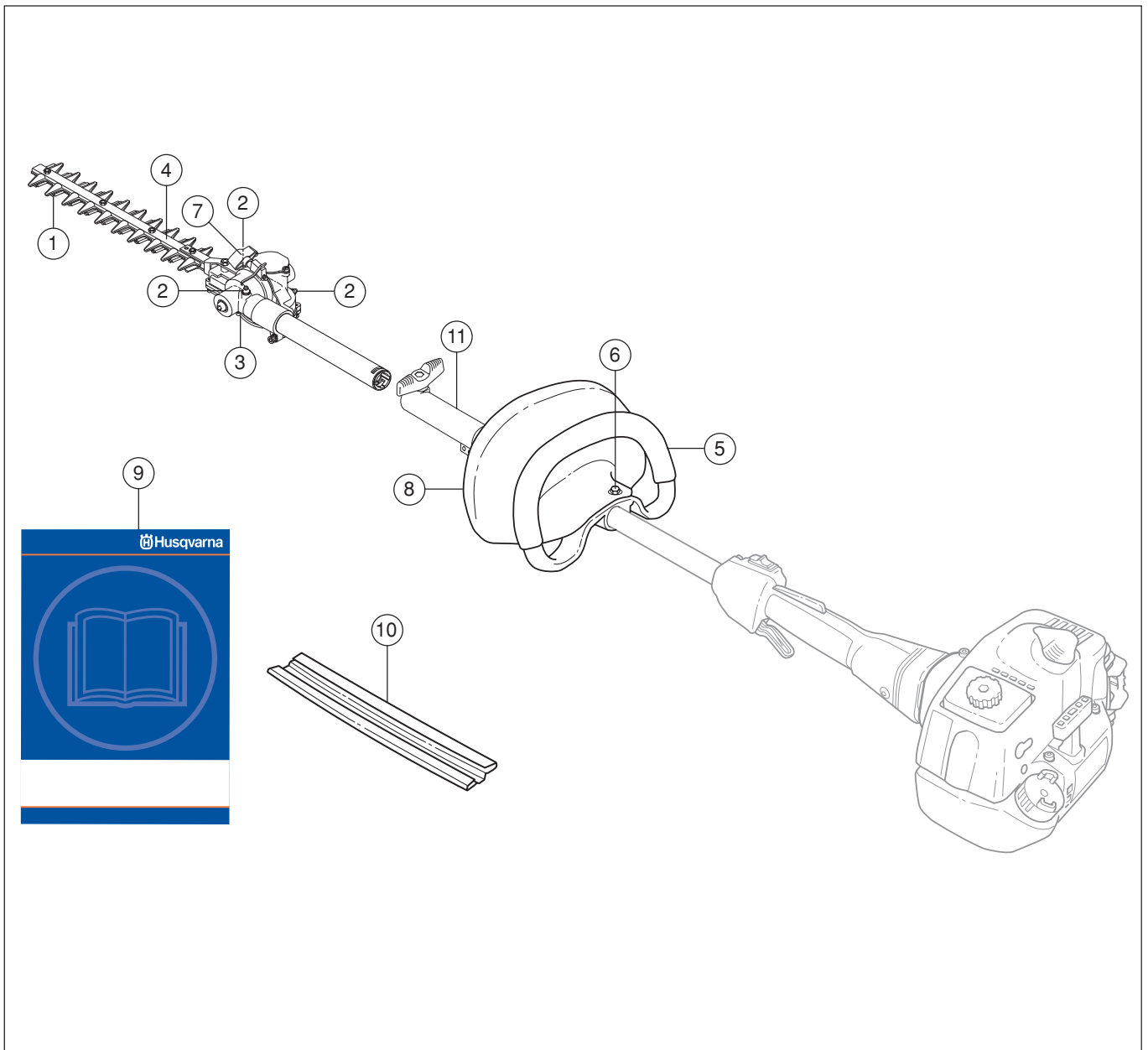
Changing the hedge trimmer angle

- Loosen the knob on the angle adjuster.
- Press the cutting attachment against the ground or some other solid object to set the desired angle.
- Tighten the knob.



NOTE! Do not hold the cutting attachment when you adjust the angle. The blades are sharp and you could easily cut yourself.

WHAT IS WHAT?



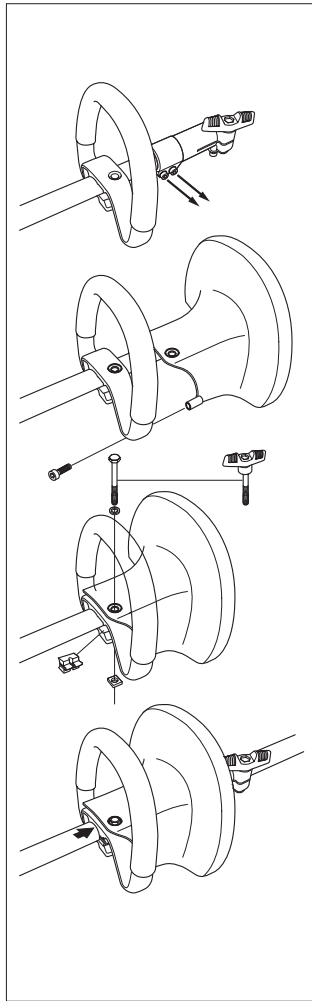
What is what on the hedge trimmer attachment?

1. Blade
2. Grease nipple (3)
3. Gearbox
4. Blade guard
5. Front handle
6. Hand guard fastening screw
7. Angle adjuster knob
8. Hand guard
9. Operator's manual
10. Transport guard
11. Shaft coupling

ASSEMBLY

Fitting the hand guard and loop handle

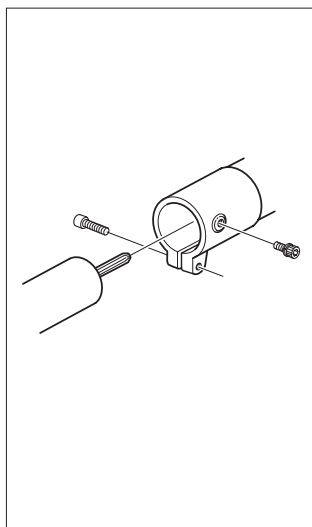
1. Loosen the clutch sleeve's two mounting bolts and dismantle the clutch sleeve.
2. Assemble the hand guard and loop handle by screwing them together. Take care to align the holes in both parts.
3. Slide the loop handle and the hand guard onto the shaft.
4. Slide the spacer into the slot in the loop handle.
5. Fit the nut and bolt. Do not over-tighten.
6. Adjust to give a comfortable working position. Tighten the nut. **NOTE!** The loop handle and hand guard must not be fitted behind the arrow marked on the shaft.
7. Fit the clutch sleeve and tighten the two mounting bolts.



Fitting the cutting attachment

Lay the hedge trimmer on a flat surface before fitting the cutting attachment. Otherwise the cutting attachment may not be fitted straight.

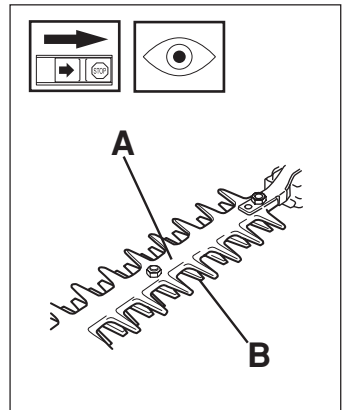
1. Fit the cutting attachment to the shaft. **NOTE!** Make sure the drive shaft on the shaft is aligned with the cut-out in the cutting attachment.
2. Tighten the lower screw, followed by the upper screw.



START AND STOP

Control before starting

- Inspect the working area. Remove objects that can be thrown.



- Check the blades. Never use blades that are dull, cracked or damaged.
- Check that the hedge trimmer is in full working order. Check that all nuts and bolts are tightened correctly.
- Check that the blade guard is not damaged or distorted.
- Replace the blade guard if it is bent or damaged.
- Make sure the gearbox is lubricated correctly. See the section "Lubricating the blades".
- Ensure the blades always stop when the engine is idling.
- Only use the machine for what it is intended for.
- Ensure that the handle and safety functions are in order. Never use a machine that lacks a part or has been modified outside of the specifications.

Carburettor

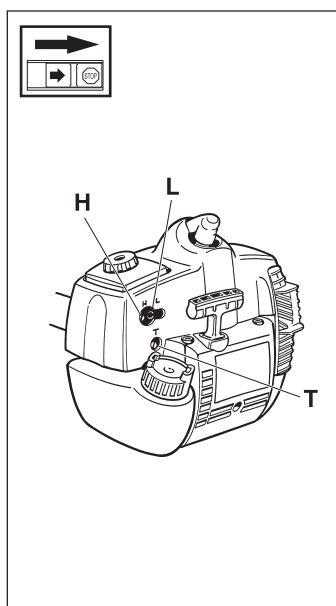
Your Husqvarna product has been designed and manufactured to specifications that reduce harmful emissions. After your unit has been run 8-10 tanks of fuel the engine has broken in. To ensure that your unit is at peak performance and producing the least amount of harmful emissions after break in, have your authorized servicing dealer, who has a revolution counter at his disposal, to adjust your carburettor for optimum operating conditions.



WARNING!
The complete clutch cover and gear must be fitted before the machine is started, otherwise the clutch may come loose and cause injury.

Operation

- The carburettor governs the engine's speed via the throttle. Air/fuel is mixed in the carburettor. The air/fuel mixture is adjustable. To take advantage of the engine's optimal output the adjustment must be correct.
- The setting of the carburettor means that the engine is adapted to local conditions, for example, the climate, altitude, petrol and the type of 2-stroke oil.
- The carburettor is equipped with three adjustment possibilities:
H = High speed needle
L = Low speed needle
T = Idle speed adjuster screw
- The fuel quantity in relation to the air flow permitted by the throttle opening is adjusted using the L and H-needles. Turning the needles clockwise gives a leaner fuel mixture (less fuel) and turning them anti-clockwise gives a richer fuel mixture (more fuel). A leaner mixture gives high revs while a richer mixture give less revs.
- The T-screw regulates the position of the throttle while the engine is idling. Turning the screw clockwise gives a higher idling speed while turning it anti-clockwise gives a lower idling speed.



Basic setting

- The carburettor is set to its basic setting when test run at the factory. The basic setting is richer than the optimal setting and should be kept during the machine's first working hours. Thereafter the carburettor should be finely adjusted. Fine adjustment should be carried out by a skilled technician.

NOTE! If the cutting attachment rotates/moves while the engine is idling the T-screw should be turned anti-clockwise until the cutting attachment stops.

Recommended idling speed is 2 700 rpm.

Recommended max. speed: See "technical data".



WARNING!
If the idling speed cannot be adjusted so that the cutting attachment stops, contact your service workshop. Do not use the machine until it has been correctly adjusted or repaired.

Fine adjustment

- When the machine has been "run-in" the carburettor should be finely adjusted. **The fine adjustment should be carried out by qualified person.** First adjust the L-jet, then the idling screw T and then the H-jet.

Conditions

- Before any adjustments are made the airfilter should be clean and the airfilter cover fitted. Adjusting the carburettor while a dirty airfilter is in use will result in a leaner mixture when the filter is finally cleaned. This can give rise to serious engine damage.
- Carefully turn the L and H needle to the mid point between fully turned in and fully turned out.
- Do not attempt to adjust the needles beyond the stops as damage can occur.**
- Now start the machine according to the starting instructions and run it warm for 10 minutes.

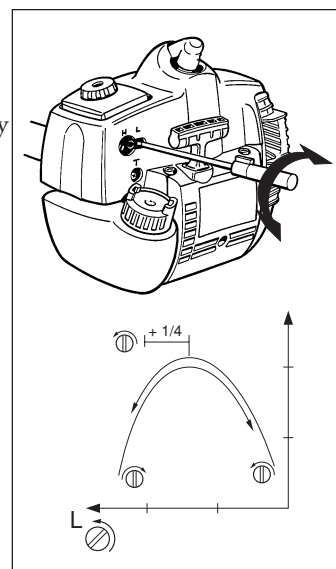
NOTE! If the cutting attachment rotates/moves the T screw should be turned anti-clockwise until the cutting attachment stops.

Low speed needle L

Try to find the highest idling speed, turning the low speed needle L clockwise respectively counter-clockwise.

When the highest speed has been found, turn the low speed needle L 1/4 turn counter-clockwise.

NOTE! If the blades move when the engine is idling, turn the idling speed screw T counter-clockwise until the blades stop.



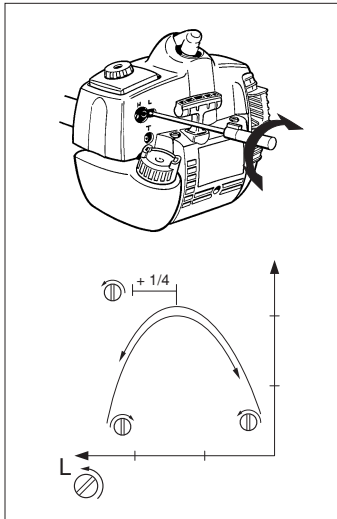
MAINTENANCE

Adjusting the idle speed, T

Adjust the idling speed with the screw T, if it is necessary to readjust. First turn the idle speed adjusting screw T clockwise until the cutting attachment starts to rotate/move.

Then turn, counter-clockwise until the cutting attachment stops. A correctly adjusted idle speed setting occurs when the engine runs smoothly in every position. It should also be good margin to the rpm when the cutting attachment starts to move.

CAUTION! Contact your servicing dealer, if the idle speed setting cannot be adjusted so that the cutting attachment stops. Do not use the machine until it has been properly adjusted or repaired.



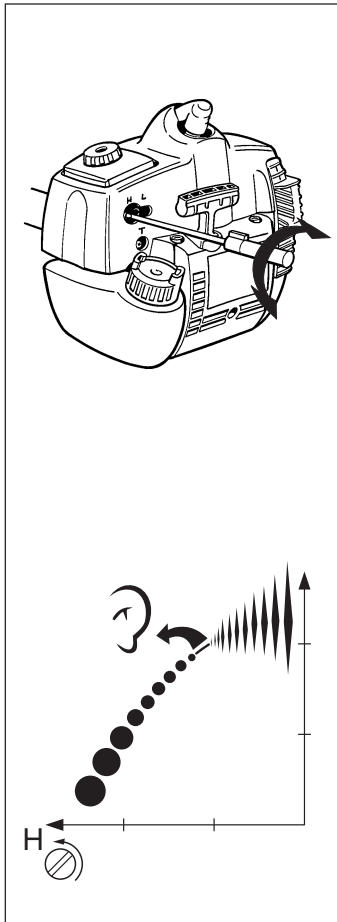
High speed needle H

The high speed needle affects the machine's power, speed, temperature and fuel consumption. A too lean adjustment on the high speed needle H (the high speed needle H is screwed in too much) gives a too high speed resulting in engine damage. Do not allow the engine to run at full speed for more than 10 seconds. Apply full throttle and turn the high speed needle H slowly anticlockwise until the engine runs unevenly. The high speed needle H is then turned slowly clockwise a little until the engine runs smoothly.

Note the engine should be run unloaded when adjusting the high speed needle. Therefore dismantle the cutting equipment, nut, support flange and disc drive before adjusting the high speed needle. The high speed needle is adjusted correctly

when the machine 'splatters' a little. If the machine smokes heavily at the same time as it 'splatters' heavily the adjustment is too rich.

NOTE! For optimum setting of the carburettor, contact a qualified servicing dealer who has a revolution counter at his disposal.



Correctly adjusted carburettor

A correctly adjusted carburettor means that the machine accelerates without hesitation and the machine 4-cycles a little at max speed. Furthermore, the cutting attachment must not rotate/move at idling. A too lean adjusted low speed needle L may cause starting difficulties and bad acceleration.

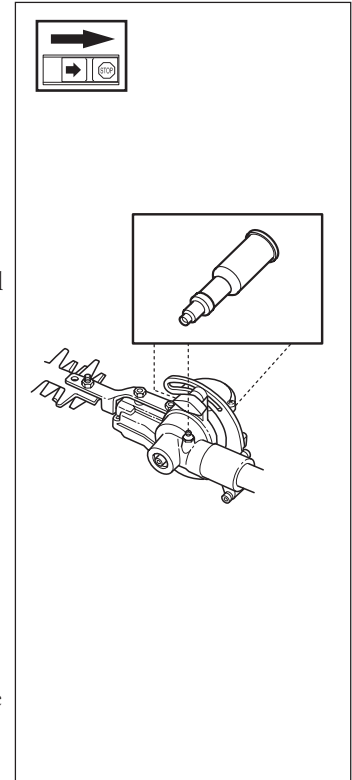
A too lean adjusted high speed needle H gives lower power = less capacity, bad acceleration and/or damage to the engine. A too rich adjustment of the two speed needles L and H gives acceleration problems or too low working speed.

Gearbox

There are three grease nipples (A) on the gearbox. Use a grease gun to top up with grease. This should be carried out after approximately every 20 working hours. Use Husqvarna special grease, No. 503 98 96-01.

Note that the gearbox must not be filled completely with grease. The grease expands as the machine heats up during operation. If the gearbox was completely filled with grease it could damage the seals and lead to leakage.

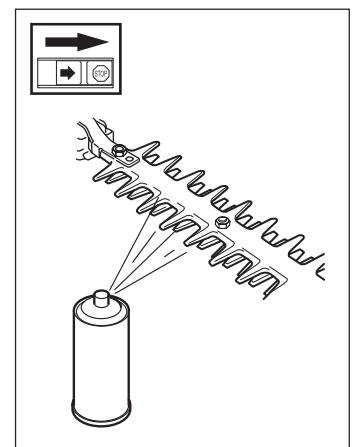
The lubricant in the gearbox does not normally need to be replaced other than with repair.



Cleaning and lubrication

After you have used the machine clean any resin and plant residue from the blades using cleaning agent 531 00 60-75 (UL22).

Always lubricate the blade runners with special grease 531 00 60-74 (UL 21) before use.

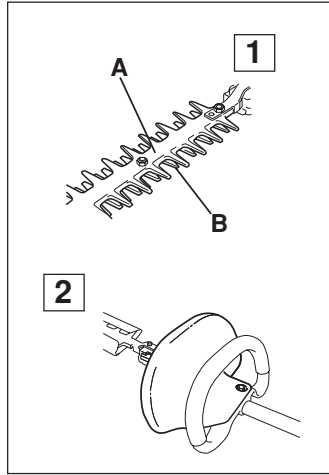


Maintenance schedule

Below follows some general maintenance instructions.
If you need further information please contact your service workshop.

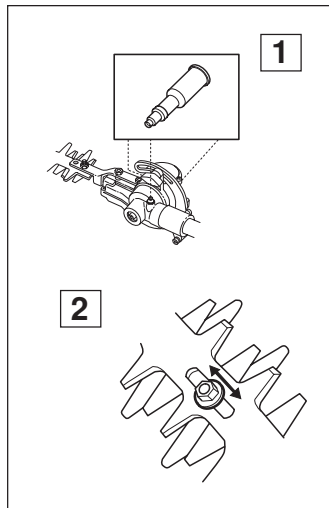
Daily maintenance

1. Check that the blades do not rotate while idling or when the choke is in the start position.
2. Check that the hand guard is not damaged. Replace the guard if damaged.



Weekly maintenance

1. Fill the gearbox with grease. This should be carried out after approximately every 20 working hours.
2. Check that the bolts keeping the blades together are tightened.



Technical data

Weight

Weight without fuel, Lbs/kg 2,0

Blades

Length, mm 550

Blade speed, Cut/min 4184

EXPLICATIONS DES SYMBOLES

Symboles



AVERTISSEMENT! Tronçonneuses, débroussailleuses et coupe-herbes peuvent s'avérer dangereux! Une utilisation imprudente ou inadéquate peut résulter en des blessures graves, et même mortelles.



Lire attentivement le mode d'emploi et assimiler son contenu avant d'utiliser la machine.



Toujours porter:

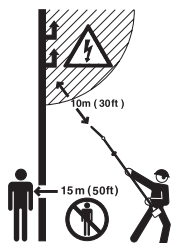
- protège-oreilles
- des lunettes de protection homologuées



Ce produit est conforme à la directive CE en vigueur.



Outil coupant. Ne jamais toucher l'outil sans avoir préalablement arrêté le moteur.



Cette machine ne comporte pas d'isolation électrique. Si elle entre en contact avec ou est utilisée à proximité de lignes conductrices de tension, ceci peut résulter en des blessures corporelles graves voire mortelles. L'électricité peut être transmise d'un point à un autre par un arc de tension. Plus la tension est élevée et plus la longueur de transmission de la tension est élevée. L'électricité peut également être transmise par des branches et d'autres objets, particulièrement s'ils sont mouillés. Toujours conserver une distance d'au moins 10 mètres (30 pieds) entre la machine et la ligne conductrice d'électricité et/ou les objets en contact avec cette ligne. S'il est nécessaire que le travail soit effectué avec des distances de sécurité plus courtes, toujours contacter la compagnie électrique afin de s'assurer que la tension est bien coupée avant de commencer les travaux. La machine peut être dangereuse. Vérifier qu'aucune personne et qu'un animal ne se trouvent à moins de 15 mètres (45 pieds) quand la machine est utilisée.



Flèches indicatrices indiquant les limites pour l'emplacement de la fixation de la poignée.

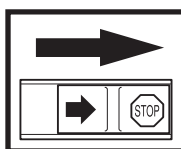


Utiliser toujours des gants de protection homologués.

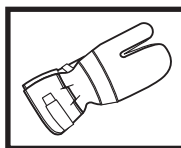


Utiliser des bottes stables et antidérapantes.

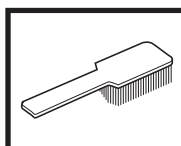
Les autres symboles/autocollants présents sur la machine concernent des exigences de certification spécifiques à certains marchés.



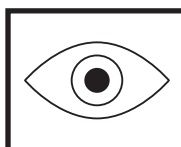
Contrôles et/ou entretiens sont effectués avec le moteur arrêté et le contacteur d'Arrêt en position STOP.



Utiliser toujours des gants de protection homologués.



La machine demande un nettoyage régulier.



Contrôle visuel.



Le port de lunettes de protection homologuées est obligatoire.

SOMMAIRE

Husqvarna AB travaille continuellement au développement de ses produits et se réserve le droit d'en modifier, entre autres, la conception et l'aspect.



Lire attentivement le manuel d'utilisation et assimiler son contenu avant d'utiliser la machine.

Ces instructions sont un complément au manuel qui accompagne la machine. Pour les autres instructions, se reporter au manuel d'utilisation de la machine.



AVERTISSEMENT!

En aucun cas, la conception d'origine de la machine ne doit être modifiée sans l'accord du fabricant. Toujours utiliser des pièces de rechange d'origine. Des modifications et/ou des pièces de rechange non autorisées peuvent entraîner des blessures graves, ou mortelles, pour l'utilisateur, comme pour autrui.



AVERTISSEMENT!

Cet accessoire ne peut être utilisé que pour les débroussailleuses/coupebordures auxquels il est expressément destiné. Voir la section "Accessoires homologués" au chapitre Caractéristiques techniques dans le manuel d'utilisation de la machine.

Le taille-haie est uniquement destiné à la taille des buissons et des branches.

Sommaire

EXPLICATIONS DES SYMBOLES

Symboles 12

SOMMAIRE

Sommaire 13

CONSIGNES DE SECURITE

Dispositifs de sécurité de la machine 14

Contrôle, entretien et maintenance des dispositifs de sécurité de la machine 14

Instructions de travail générales pour le taille-haie 15

QUELS SONT LES COMPOSANTS?

Quels sont les éléments du kit taille-haie? 17

MONTAGE

Montage du protège-mains et de la poignée en boucle 18

Montage de l'unité de coupe 18

MARCHE ET ARRET

Contrôles avant le démarrage 18

ENTRETIEN

Carburateur 19

Engrenage 20

Nettoyage et lubrification 20

Schéma d'entretien 21

CARACTERISTIQUES TECHNIQUES

Caractéristiques techniques 21

Dispositifs de sécurité de la machine

Ce chapitre explique les dispositifs de sécurité de la machine, leur fonction ainsi que les contrôles et entretiens à effectuer pour s'assurer de leur bon fonctionnement. (Voir le chapitre "Quels sont les composants" pour voir l'emplacement de ces dispositifs sur la machine).

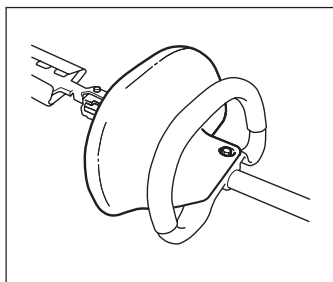


AVERTISSEMENT!

Ne jamais utiliser une machine dont les dispositifs de sécurité sont hors fonction. Suivre les instructions de contrôle, d'entretien et de service listées dans ce chapitre.

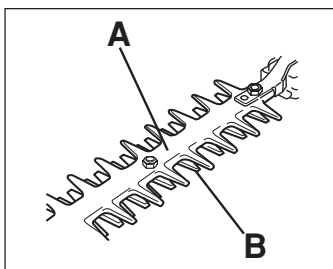
1. Protège-main

La protection de la main est destinée à empêcher la main d'entrer en contact avec les couteaux en rotation. Par exemple, si l'utilisateur lâche la poignée avant.



2. Protège-lame

Le protège-lame (A) est destiné à empêcher tout contact entre le corps de l'utilisateur et les lames (B).



Contrôle, entretien et maintenance des dispositifs de sécurité de la machine



AVERTISSEMENT!

Ne jamais utiliser une machine avec des dispositifs de sécurité défectueux. Il faut contrôler et entretenir les dispositifs de sécurité en fonction des indications de ce chapitre. Si la machine ne satisfait pas à l'un des contrôles, contacter un atelier de service.

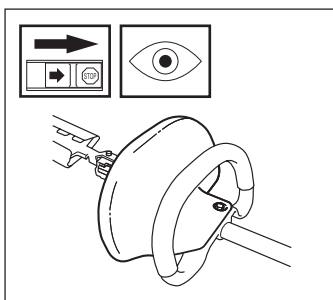


AVERTISSEMENT!

Toujours arrêter le moteur avant d'entamer des travaux sur l'équipement de coupe. Celui-ci continue à tourner après avoir relâché l'accélérateur. S'assurer que l'équipement de coupe est entièrement immobilisé et retirer le câble de la bougie d'allumage avant d'effectuer des travaux sur l'équipement de coupe.

1. Protège-main

- S'assurer que le protège-main est correctement monté.
- S'assurer que le protège-main n'est pas abîmé.



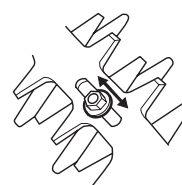
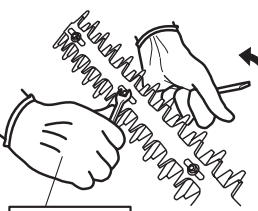
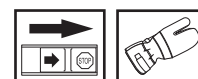
2. Lames

Pour obtenir un bon résultat de coupe, il est important que la pression de contact entre les lames soit correcte. Le réglage de la pression de contact s'effectue en serrant à fond dans le sens horaire les vis sur la partie inférieure de la poutrelle de lame. Dévisser ensuite la vis d'1/4 de tour dans le sens antihoraire. Bloquer la vis à l'aide du contre-écrou sur la partie supérieure de la poutrelle de lame. Contrôler que le serrage de la vis est tel qu'il est possible de déplacer latéralement la rondelle située sous la tête de la vis.

Lorsque les lames sont réglées correctement, un jeu de 0,2-0,4 mm entre les lames doit pouvoir être mesuré au niveau des vis.

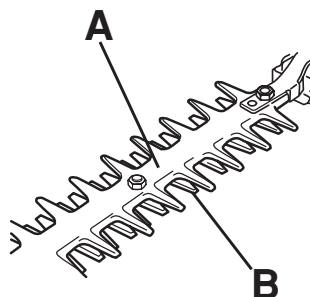
Les dents de la lame sont trop dures pour pouvoir être limées. Utiliser un appareil à aiguiser pour affûter les lames.

Remplacer les lames si elles sont courbées ou endommagées.



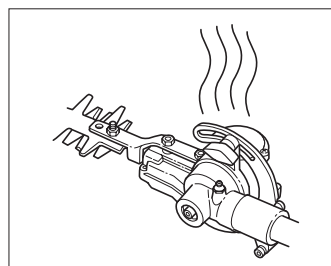
3. Protège-lame

- Contrôler la protège-lame afin de détecter d'éventuels dommages ou fissurations.
- Toujours remplacer une protège-lame endommagé.



4. Engrenage

- Après l'utilisation du taille-haie l'engrenage est chaud. Ne pas toucher l'engrenage afin d'éviter les brûlures.



CONSIGNES DE SECURITE

Instructions de travail générales pour le taille-haie



AVERTISSEMENT!
Le taille-haie peut provoquer des blessures corporelles graves. Lire attentivement les consignes de sécurité et apprendre à bien utiliser la machine.

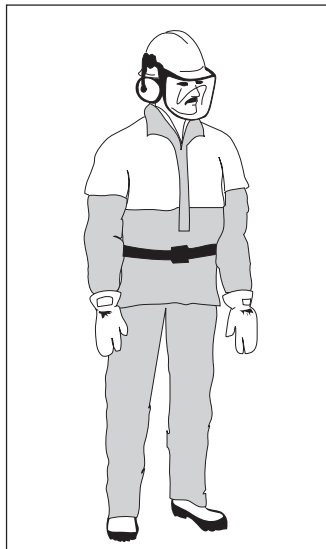


AVERTISSEMENT!
Couteaux en rotation. Ne pas toucher les couteaux avant d'avoir arrêté le moteur.

NOTER! Lire attentivement le manuel d'utilisation avant d'utiliser le taille-haie.

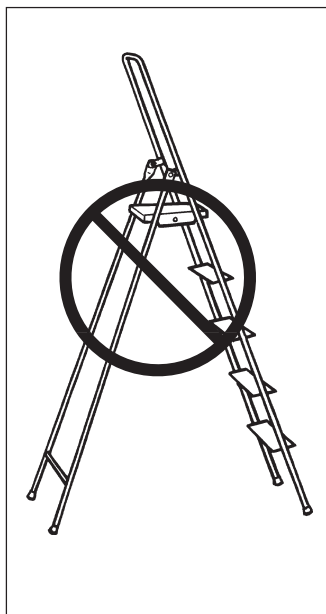
Protection personnelle

- Toujours porter des bottes et l'équipement décrit dans "Équipement de protection personnelle" dans le manuel d'utilisation de la machine.
- Portez toujours des vêtements de travail et des pantalons robustes.
- Ne portez jamais de vêtements larges ou des bijoux.
- Il est recommandé aux personnes aux cheveux longs de les attacher, pour leur sécurité personnelle.



Mesures de sécurité pour l'environnement

- Ne permettez jamais aux enfants d'utiliser la machine.
- Ne permettez à personne de s'approcher à moins de 15 m lors du travail.
- Ne permettez pas à autrui d'utiliser la machine sans vous assurer qu'ils connaissent parfaitement le contenu du manuel d'instructions.
- Ne jamais travailler debout sur une échelle, un tabouret, ou dans toute autre position élevée n'offrant pas une sécurité maximale.



Consignes de sécurité pendant le travail

- Veillez à toujours adopter une position de travail sûre et stable.
- Tenez toujours la machine à deux mains. Portez la machine sur votre côté droit.
- Utilisez votre main droite pour manœuvrer l'accélération.
- Gardez vos mains et vos pieds à l'écart des lames lorsque le moteur est en marche.
- Après l'arrêt du moteur, maintenez vos mains et vos pieds éloignés des lames, jusqu'à l'arrêt complet de celles-ci.
- Attention aux branchettes pouvant être projetées lors du travail avec la machine.
- Posez toujours le taille-haie sur le sol lorsqu'il n'est pas utilisé.
- Ne pas utiliser le taille-haie trop près du sol. Des pierres ou tout autre objet sont susceptibles d'être projetés.

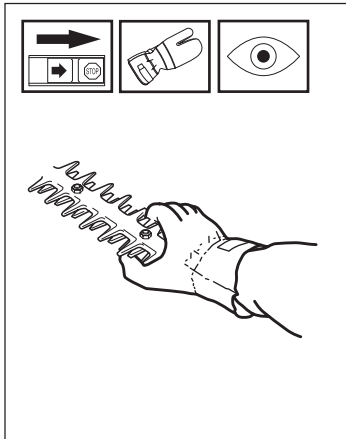


- Inspecter la zone à couper pour détecter les corps étrangers tels que conduites électriques, insectes, animaux, etc. ou les objets pouvant endommager l'unité de coupe tels que les objets métalliques.
- Si la machine bûte sur un objet ou si des vibrations se produisent, arrêter immédiatement le taille-haie. Retirer le câble de la bougie et vérifier que la machine n'a subi aucun dommage. Réparer tout éventuel dommage.
- Si un objet se bloque dans les lames durant le travail, arrêter le moteur et attendre l'arrêt total du moteur avant de nettoyer les lames. Débrancher le câble d'allumage de la bougie.

CONSIGNES DE SECURITE

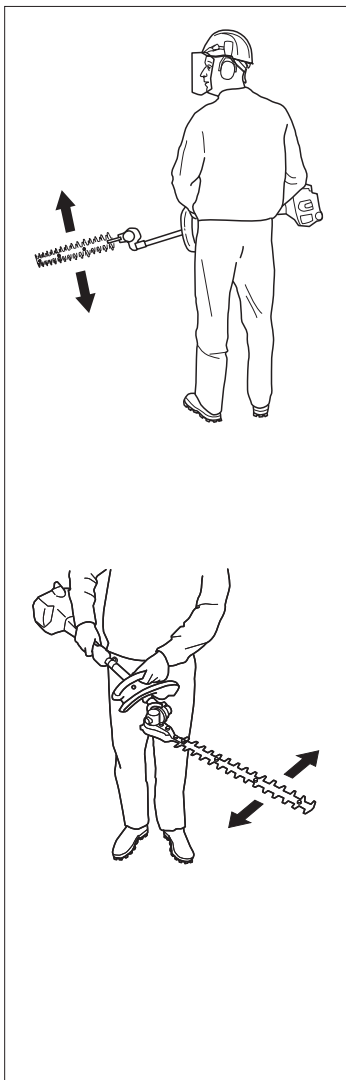
Consignes de sécurité après le travail

- La gaine de protection des lames destinée au transport doit toujours être mise lorsque la machine n'est pas utilisée.
- Avant de procéder aux nettoyages, réparations ou inspections, assurez-vous de l'arrêt complet des lames. Débranchez le câble d'allumage de la bougie.
- Toujours utiliser des gants de protection pour réparer les lames. Les lames sont très tranchantes et peuvent facilement provoquer des blessures.
- Rangez la machine hors de portée des enfants.
- Lors des réparations, n'utilisez que des pièces de rechange d'origine.



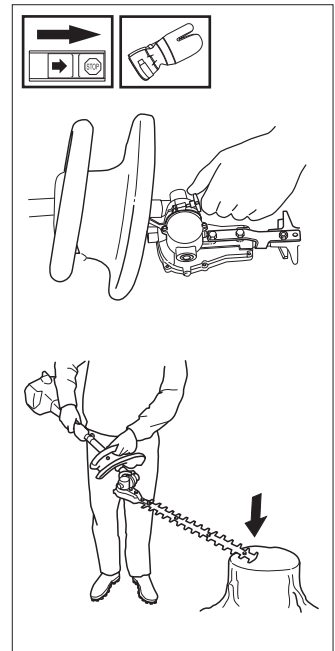
Techniques de travail de base

- Travailler en effectuant des mouvements de balancier de bas en haut lors de la taille des côtés.
- Régler l'accélération en fonction de la charge.
- Lors de la taille d'une haie, le moteur doit toujours être maintenu **éloigné** de la haie.
- Le taille-haie doit être maintenu aussi près du corps que possible pour assurer un bon équilibre.
- S'assurer que l'extrémité du taille-haie ne touche pas le sol.
- Ne pas travailler trop vite. Travailler à une vitesse constante pour obtenir une taille régulière.



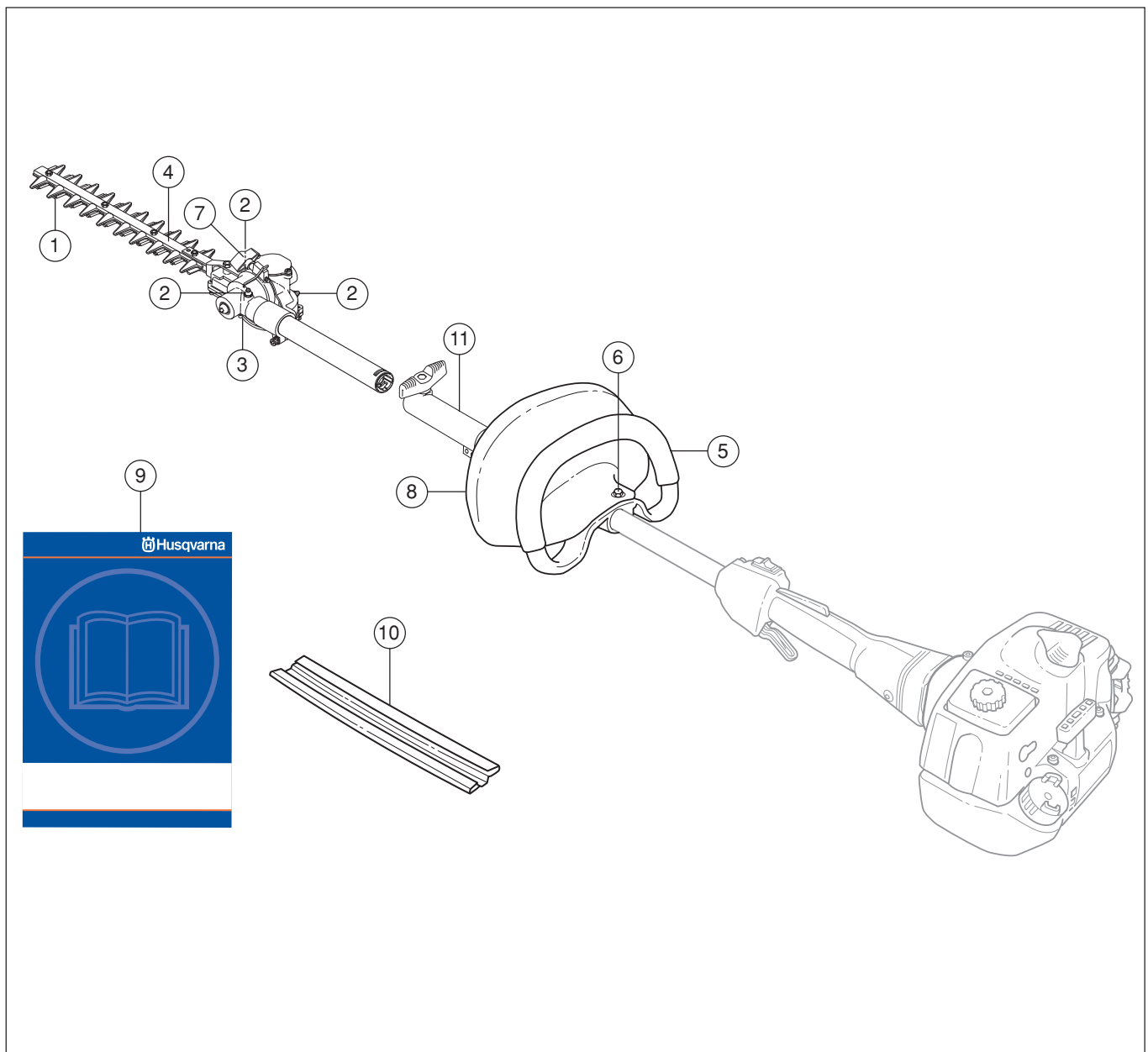
Modification de l'angle du taille-haie

- Desserrer la manette du limiteur d'angle.
- Appuyer l'unité de coupe sur le sol ou sur toute autre base stable pour régler l'angle souhaité.
- Resserrer la manette.



NOTER ! Ne pas toucher l'unité de coupe lors du réglage de l'angle. Les lames sont très tranchantes et peuvent facilement causer des coupures.

QUELS SONT LES COMPOSANTS?

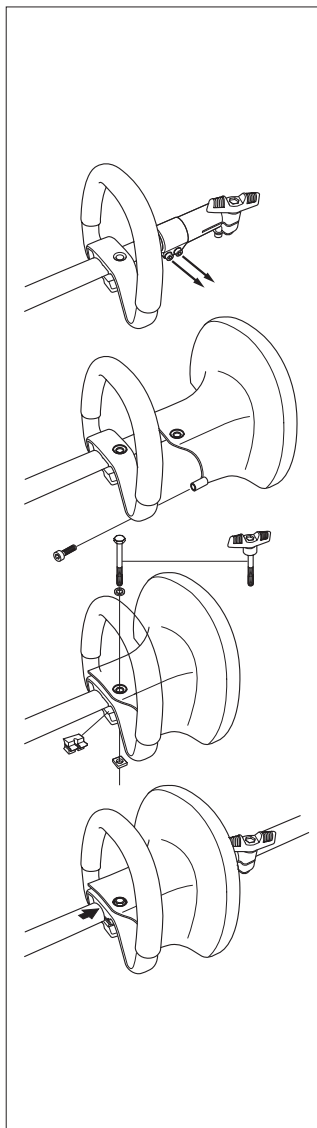


Quels sont les éléments du kit taille-haie?

1. Lame
2. Graisseurs (3 unités)
3. Engrenage angulaire
4. Protège-lame
5. Poignée avant
6. Vis de fixation du protège-mains
7. Manette du réglage de l'angle
8. Protège-mains
9. Manuel d'utilisation
10. Dispositif de protection de transport
11. Accouplement tige

Montage du protège-mains et de la poignée en boucle

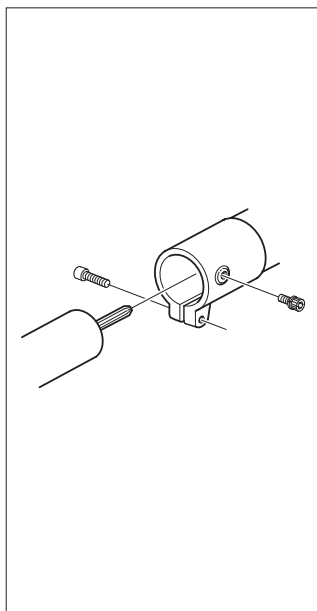
1. Desserrer les deux vis de fixation de la douille de raccordement et démonter la douille.
2. Monter le protège-mains et la poignée en boucle en les vissant ensemble. Vérifier soigneusement que les trous des deux éléments correspondent bien.
3. Enfiler la poignée en boucle et le protège-mains sur le tube de transmission.
4. Placer l'entretoise dans la rainure de la poignée en boucle.
5. Monter l'écrou et la vis. Ne pas serrer trop fort.
6. Effectuer un réglage d'appoint pour obtenir une position de travail confortable. Serrer la vis.
NOTER ! La poignée en boucle et le protège-mains ne doivent pas être montés après la flèche située sur le tube de transmission.
7. Monter la douille de raccordement et serrer les deux vis de fixation.



Montage de l'unité de coupe

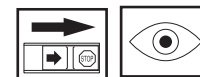
Lors du montage de l'unité de coupe, il est important que le taille-haie soit posé sur une surface plane. Autrement, l'unité de coupe risque d'être montée de travers.

1. Monter l'unité de coupe sur le tube de transmission.
NOTER ! Veiller à ce que l'arbre d'entraînement sur le tube de transmission se place correctement dans la rainure de l'unité de coupe.
2. Serrer la vis inférieure en premier, puis la vis supérieure.



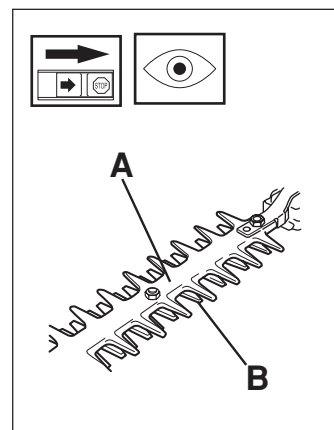
Contrôles avant le démarrage

- Inspecter la zone de travail. Retirer tout objet susceptible d'être projeté.



- Vérifier les lames. Ne jamais utiliser des lames émoussées, craquelées ou abîmées.

- Vérifier que le taille-haie est en parfait état d'utilisation. Contrôler que tous les écrous et boulons sont correctement serrés.



- Contrôler la protège-lame afin de détecter d'éventuels dommages ou fissurations.

- Toujours remplacer une protège-lame endommagé.

- Contrôler que l'engrenage est correctement lubrifié. Voir le chapitre "Lubrification des lames".

- S'assurer que les lames s'arrêtent quand le moteur s'arrête.

- N'utiliser le taille-haie que pour l'usage auquel il est destiné.

- Contrôler que la poignée et les dispositifs de sécurité sont en bon état de fonctionnement. Ne jamais utiliser une machine à laquelle il manque des pièces, ou une machine qui a été modifiée à l'encontre de ses spécifications.

Carburateur

Les caractéristiques techniques de cette machine Husqvarna assurent des émissions de gaz nocifs réduites au minimum. Après 8-10 pleins, le moteur est "rodé". Pour s'assurer qu'il fonctionne correctement en libérant peu de gaz d'échappement après la période de rodage, il convient de demander au revendeur/atelier de service disposant d'un compte-tours d'effectuer un réglage fin du carburateur.

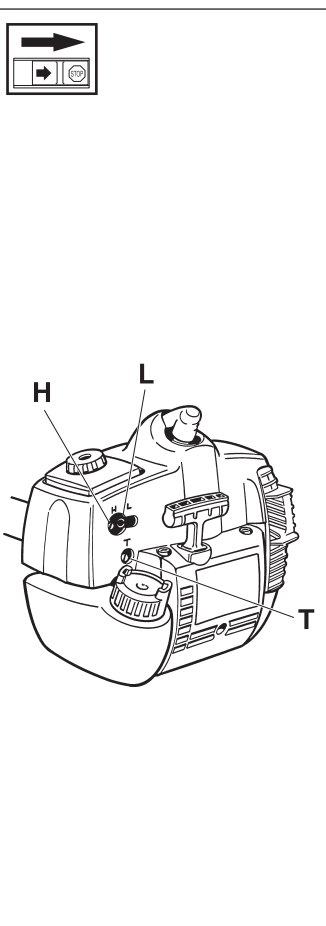


AVERTISSEMENT!

Il est indispensable de monter le carter d'embrayage complet avec la transmission avant de démarrer la machine. Sinon, l'embrayage risque de lâcher et de provoquer des blessures physiques.

Fonctionnement

- Par l'intermédiaire de l'accélérateur, le carburateur commande le régime du moteur. Dans le carburateur, l'air se mélange au carburant. Ce mélange est réglable. Pour atteindre la puissance maximale de la machine, ce mélange doit être correctement réglé.
- Le réglage du carburateur implique que celui-ci est adapté aux conditions locales, notamment le climat et l'altitude, mais aussi à l'essence et au type d'huile 2-temps.
- Le carburateur est muni de trois éléments de réglage:
L = Pointeau bas-régime
H = Pointeau haut-régime
T = Pointeau de ralenti



- Les pointeaux L et H permettent de régler la quantité de carburant en fonction du flux d'air autorisé par l'ouverture de l'accélérateur. En les tournant dans le sens des aiguilles d'une montre, le mélange air/carburant s'appauvrit (moins de carburant). En les tournant dans le sens contraire des aiguilles, le mélange s'enrichit (davantage de carburant). Un mélange pauvre permet un régime moteur plus haut tandis qu'un mélange riche donne un régime plus bas.
- Le pointeau de ralenti T permet de régler la position de l'accélérateur au régime de ralenti. En tournant le pointeau T dans le sens des aiguilles d'une montre, le régime de ralenti augmente. En le tournant dans le sens contraire des aiguilles, le régime de ralenti diminue.

Réglage de base

- Le carburateur est réglé en usine lors des essais de fonctionnement. Le mélange de base est plus gras que le mélange optimal et doit être maintenu pendant les premières heures de service de la machine. Ensuite, il faut effectuer un réglage fin du carburateur. Le réglage fin doit être effectué par un personnel compétent.

IMPORTANT!

Si la lame tourne au ralenti, tourner le pointeau de ralenti T dans le sens contraire des aiguilles jusqu'à l'arrêt de la lame.

Régime de ralenti recommandé: 2 700 tpm.

Régime de ralenti recommandé: voir "Caractéristiques techniques".



AVERTISSEMENT!

S'il est impossible de régler le régime de ralenti pour immobiliser la lame, contacter le service clientèle. Ne pas utiliser la machine tant qu'elle n'est pas correctement réglée ou réparée.

Réglage fin

- Lorsque la machine est "rodée", un réglage fin du carburateur est nécessaire. **Le réglage fin doit être réalisé par une personne qualifiée.** Régler d'abord le pointeau bas-régime L, puis le pointeau de ralenti T et enfin le pointeau

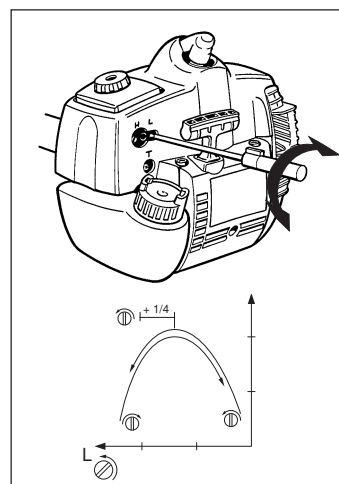
Conditions

- Pour tous les réglages, le filtre à air doit être propre et son couvercle posé. Si le carburateur est réglé avec un filtre à air sale, un mélange de carburant trop pauvre sera obtenu au prochain nettoyage du filtre. Il en résulterait la détérioration du moteur.
- Visser prudemment les pointeaux L et H jusqu'à mi-chemin du serrage à fond.
- Ne pas essayer de dépasser la position d'arrêt pour régler les pointeaux, une telle tentative pouvant endommager la machine.**
- Mettre la machine en marche en suivant les instructions de démarrage. La chauffer pendant 10 minutes.
IMPORTANT! Si l'équipement de coupe tourne, tourner le pointeau de ralenti T dans le sens inverse des aiguilles jusqu'à l'arrêt de l'équipement de coupe.

Pointeau bas-régime L

Chercher le régime de ralenti maximum en tournant le pointeau L. Arrivé au régime maximum, tourner le pointeau L d'un quart de tour dans le sens inverse des aiguilles.

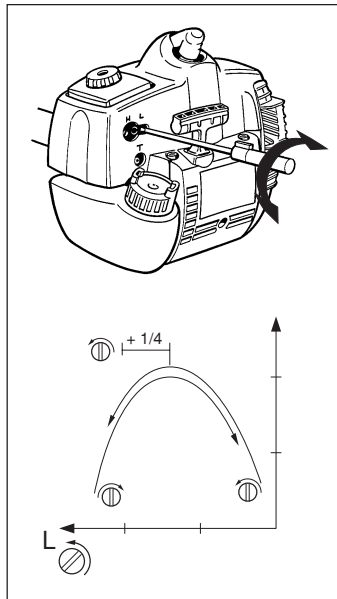
IMPORTANT! Si les lames tournent au ralenti, tourner le pointeau de ralenti T dans le sens inverse des aiguilles jusqu'à l'arrêt des lames.



Réglage du pointeau de ralenti T

Régler le régime de ralenti avec le pointeau de ralenti T si un ajustage est nécessaire. Tourner d'abord le pointeau de ralenti T dans le sens des aiguilles jusqu'à ce que l'équipement de coupe commence à tourner. Tourner ensuite le pointeau dans le sens inverse jusqu'à l'arrêt de l'équipement de coupe. Un régime de ralenti correctement réglé permet au moteur de tourner régulièrement dans toutes les positions, en offrant une marge avant la mise en rotation de l'équipement de coupe.

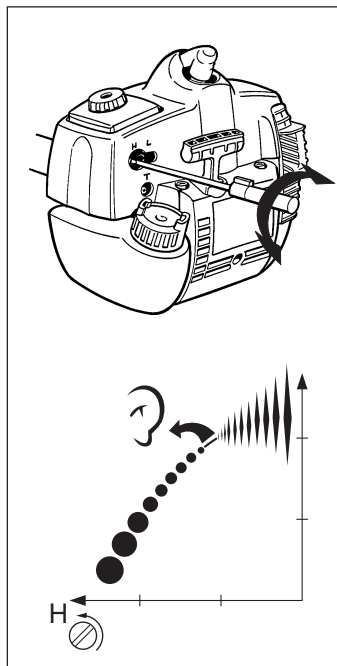
AVERTISSEMENT! S'il est impossible de régler le régime de ralenti pour immobiliser l'équipement de coupe, contacter le revendeur/atelier de service. Ne pas utiliser la machine tant qu'elle n'est pas correctement réglée ou réparée.



Pointeau haut-régime H

Le pointeau haut-régime H agit sur la puissance, le régime, la température du moteur et sur la consommation en carburant. Un pointeau haut-régime H trop vissé (carburant trop pauvre) entraîne un régime trop élevé et endommage le moteur. Ne pas laisser le moteur tourner à plein régime plus de 10 secondes. Tourner le pointeau haut-régime très lentement dans le sens des aiguilles d'une montre jusqu'au ralentissement du moteur. Tourner ensuite le pointeau haut-régime très lentement dans le sens inverse jusqu'à ce que le moteur tourne de manière irrégulière.

Tourner ensuite légèrement le pointeau H dans le sens des aiguilles d'une montre jusqu'à ce que le moteur tourne de manière régulière. Le moteur ne doit pas être chargé lors du réglage du pointeau haut-régime. Démontez l'équipement de coupe, l'écrou, la bride de support et le toc d'entraînement avant d'effectuer le réglage du pointeau haut-régime. Le pointeau haut-régime H est correctement réglé quand le moteur démarre à quatre temps. Si le moteur s'emballe, le mélange de carburant est trop pauvre. Si le moteurousse fortement et tourne à quatre temps, le mélange est trop riche. **IMPORTANT!** Pour obtenir un réglage optimal du carburateur, il convient de faire appel à un revendeur qualifié/atelier de service disposant d'un compte-tours.



Carburateur correctement réglé

Un réglage correct du carburateur se traduit par une accélération franche de la machine avec 4-temps au régime maximal. Ne pas laisser l'équipement de coupe tourner au ralenti. Un réglage du carburant trop pauvre avec le pointeau bas-régime L peut causer des démarrages difficiles et une mauvaise accélération.

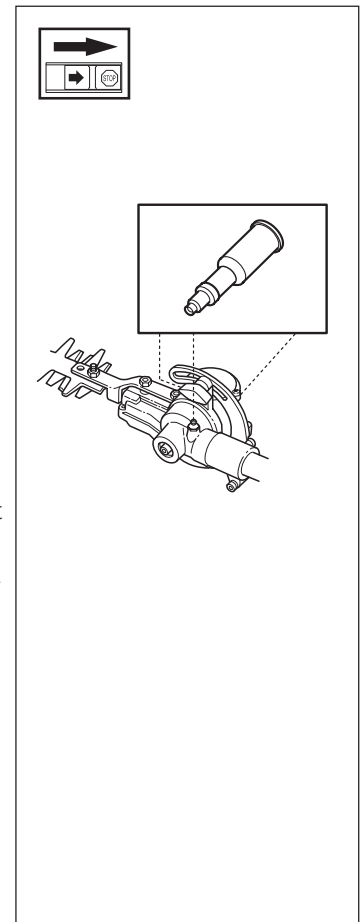
Un réglage du carburant trop pauvre avec le pointeau haut-régime H se traduit par une perte de puissance = capacité réduite, mauvaise accélération et/ou détérioration du moteur. Un réglage trop riche du carburant avec les pointeaux L et H se traduit par des problèmes d'accélération ou un régime de travail trop faible.

Engrenage

Le carter d'engrenage comporte trois graisseurs (A). Utiliser un pistolet graisseur pour remplir de lubrifiant. Cette mesure doit être effectuée toutes les 20 heures de travail environ. Utiliser le lubrifiant spécial Husqvarna No 503 98 96-01.

Noter que l'engrenage ne doit pas être entièrement rempli de lubrifiant. Le lubrifiant se dilate sous l'effet de la chaleur qui se dégage lors du fonctionnement de la machine. Si l'engrenage est entièrement rempli de lubrifiant, les joints d'étanchéité risquent d'être endommagés, entraînant des fuites de lubrifiant.

Utiliser le lubrifiant spécial Husqvarna No 503 98 96-01.



Nettoyage et graissage

Après chaque utilisation, nettoyer les lames avec l'agent de nettoyage 531 00 60-75 (UL22) pour éliminer la résine et la sève des plantes.

Lubrifier les poutrelles de lames avec du lubrifiant spécial, 531 00 60-74 (UL 21) à chaque utilisation de la machine.

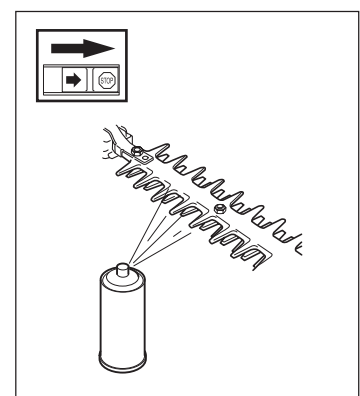
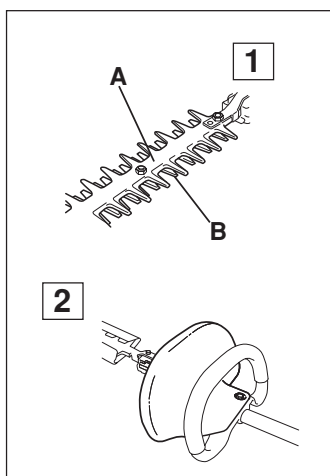


Schéma d'entretien

Ci-après, quelques instructions générales d'entretien.
Pour plus d'informations, contacter l'atelier de service.

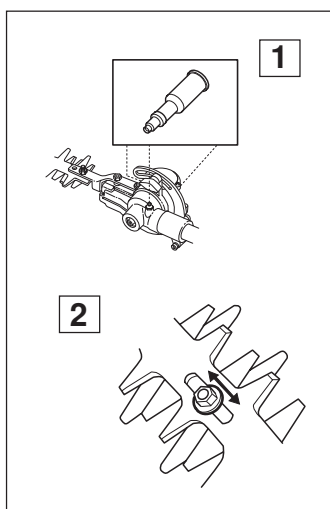
Contrôles quotidiens

1. Contrôler que les lames ne bougent pas au ralenti ou lorsque le starter est sur la position de démarrage.
2. Vérifier que le protège-main et le protège-lame ne sont pas abîmés. Remplacer si nécessaire.



Contrôles hebdomadaires

1. Remplir l'engrenage d'huile. Ceci devra être effectué environ toutes les 20 heures d'utilisation.
2. Vérifier que les boulons assemblant les lames sont bien serrés.



Caractéristiques techniques

Poids

Poids, sans carburant, kg 2,0

Lames

Longueur, mm 550
Vitesse de la lame, taille/min 4184

SIGNIFICADO DE LOS SÍMBOLOS

Símbolos



ATENCIÓN: ¡Las desbrozadoras, quita arbustos y recortadoras pueden ser peligrosas!. El uso indebido o poco cuidadoso puede resultar en trágicas consecuencias, incluso con heridas de peligro mortal.



Antes de utilizar la máquina lea atentamente las Instrucciones de Uso asegurándose de entender el contenido.



Utilice siempre:

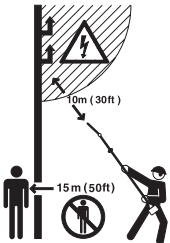
- Protección auditiva
- Protección ocular homologada



Este producto cumple con la directiva CE vigente.



Herramienta de corte. Antes de tocar la herramienta, apague siempre el motor.



Esta máquina no tiene aislamiento eléctrico. Si entra en contacto o está en las proximidades de cables conductores de tensión, puede provocar la muerte o lesiones graves. La electricidad puede ser transmitida de un punto a otro formando un "arco de tensión". A mayor tensión, mayor es la distancia que puede ser transmitida la electricidad. Ésta también puede ser transmitida a través de ramas y otros objetos, especialmente si están mojados. Por eso, mantenga siempre como mínimo una distancia de 10 m entre la máquina y un cable conductor de tensión, u objetos que estén en contacto con el mismo. Si debe trabajar con una distancia de seguridad más corta, póngase en contacto con la central eléctrica para cerciorarse de que la tensión está desconectada antes de empezar a trabajar. La máquina puede ser peligrosa. Cerciórese de que ninguna persona ni animal se aproxime más de 15 m a la máquina cuando la misma esté en funcionamiento.



Marcas de flechas que indican los límites para colocar la sujeción del mango.

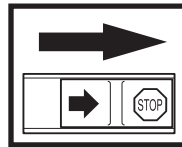


Utilice siempre guantes protectores homologados.

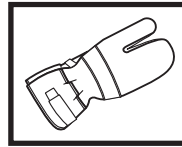


Utilice siempre guantes protectores homologados.

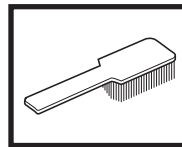
Los demás símbolos/pegatinas que aparecen en la máquina corresponden a requisitos de homologación específicos en determinados mercados.



Cualquier tipo de control o medida de mantenimiento a realizar debe efectuarse con el motor parado, con el mando de parada en la posición STOP.



Utilice siempre guantes protectores homologados.



Limpie la máquina regularmente.



Control visual.



Debe utilizarse protección ocular homologada.

CONTENIDO

Husqvarna AB trabaja constantemente para perfeccionar sus productos y se reserva, por lo tanto, el derecho a introducir modificaciones en la construcción y el diseño sin previo aviso.



Antes de utilizar la máquina lea bien el manual de instrucciones hasta comprender su contenido.

Estas instrucciones son complemento del manual que se adjunta a la máquina. Para más información sobre el manejo, consultar el manual de la máquina



ATENCIÓN: El diseño original de la máquina no debe ser modificado por ningún motivo sin autorización explícita del fabricante. Utilice siempre accesorios originales. Modificaciones y/o accesorios no autorizados pueden ocasionar heridas graves y hasta mortales al operario o terceros.



ATENCIÓN: Este accesorio sólo puede ser utilizado con las desbrozadoras/recortadoras destinadas al mismo, vea "Accesorios aprobados" en el capítulo Datos técnicos del manual de instrucciones de la máquina.

La máquina está diseñada para cortar únicamente ramas y ramitas.

Índice

SIGNIFICADO DE LOS SÍMBOLOS

Símbolos 22

CONTENIDO

Índice 23

INSTRUCCIONES DE SEGURIDAD

Equipo de seguridad de la máquina 24

Control, mantenimiento y servicio del equipo de seguridad de la máquina 24

Instrucciones de seguridad para el uso del cortasetos 25

¿QUÉ ES QUÉ?

¿Qué es qué en el suplemento para cortar setos? 27

MONTAJE

Montaje de la protección para la mano y el mango cerrado 28

Montaje del equipo de corte 28

ARRANQUE Y DETENCIÓN

Control antes de arrancar 28

MANTENIMIENTO

Carburador 29

Caja de engranajes 30

Limpieza y lubricación 30

Plan de mantenimiento 31

DATOS TÉCNICOS

Datos técnicos 31

INSTRUCCIONES DE SEGURIDAD

Equipo de seguridad de la máquina

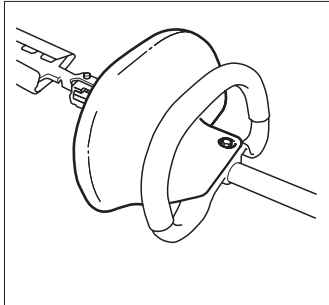
En esta sección se describen los distintos componentes de seguridad de la máquina, qué función cumplen y cómo se debe realizar la revisión y el mantenimiento para garantizar su correcta función. (Ver el capítulo "Qué es qué" para encontrar el lugar de cada componente en la máquina).



ATENCIÓN
No utilice nunca el cortasetos con un equipo de protección defectuoso. Siga las instrucciones de control, mantenimiento y servicio descritas en esta sección.

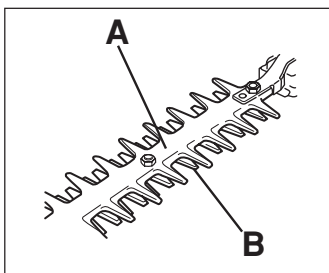
1. Protección para la mano

La protección para la mano esta destinada a impedir que la mano entre en contacto con las cuchillas en funcionamiento, por ejemplo si el usuario suelta el mango delantero.



2. Protección de las cuchillas

La protección de las cuchillas (A) está destinada a evitar que cualquier parte del cuerpo entre en contacto con las cuchillas (B).



Control mantenimiento y servicio del equipo de seguridad de la máquina



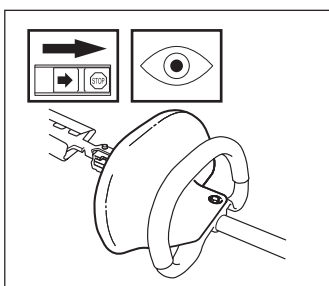
ATENCIÓN
No utilice nunca una máquina cuyo sistema de seguridad sea defectuoso. El equipo de seguridad debe ser controlado y mantenido como se ha descrito en esta sección. Si su máquina no cumple con alguno de los requisitos mencionados, debe dirigirse a un taller de servicio oficial para la reparación.



ATENCIÓN
Pare siempre el motor antes de trabajar con alguna parte del equipo de corte, éste sigue girando incluso después de haber soltado el acelerador. Controle que se haya detenido completamente y retire el cable de la bujía antes de comenzar a trabajar.

1. Protección para la mano

- Verifique que la protección de las cuchillas esté correctamente montada.
- Verifique que la protección para la mano esté intacta.



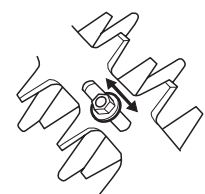
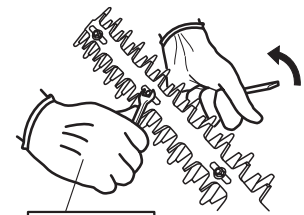
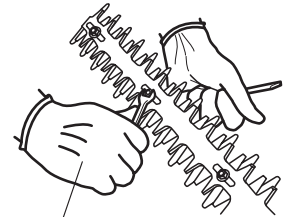
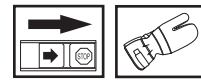
2. Cuchillas

Para lograr un buen resultado de corte es importante que la presión entre las cuchillas sea correcta. Para ajustarla, enrosque en el sentido de las agujas del reloj y hasta el fondo los tornillos en la cara inferior de las cuchillas. Después, aflójelos en sentido contrario 1/4 de vuelta. Bloquee los tornillos con las contratuercas en la parte superior de las cuchillas. Controle que los tornillos no estén apretados más de lo necesario como para permitir que las arandelas debajo de las cabezas de los tornillos puedan moverse lateralmente.

Si las cuchillas están bien ajustadas, debe haber un juego entre las mismas de 0,2-0,4 mm, medido junto a los tornillos.

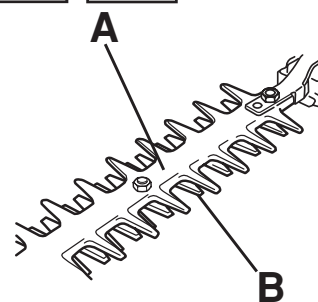
Los bordes de la cuchilla son demasiado duros para ser limados. Las cuchillas obtusas deben afilarse mediante una muela abrasiva.

Cambie las cuchillas si están dobladas o dañadas.



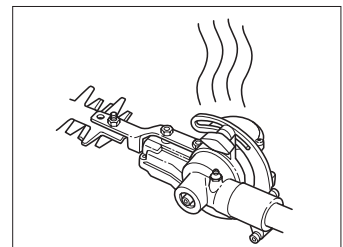
3. Protección de las cuchillas

- Revise la protección de las cuchillas para ver si está dañado o agrietado.
- Una protección de las cuchillas dañado debe ser cambiado.



4. Engranaje

- Después de trabajar con el cortasetos, el engranaje está caliente. No toque el engranaje para evitar quemaduras.



INSTRUCCIONES DE SEGURIDAD

Instrucciones de seguridad para el uso del cortasetos



¡ATENCIÓN!
El cortasetos puede provocar heridas graves. Lea atentamente las instrucciones de seguridad. Aprenda a utilizar la máquina.

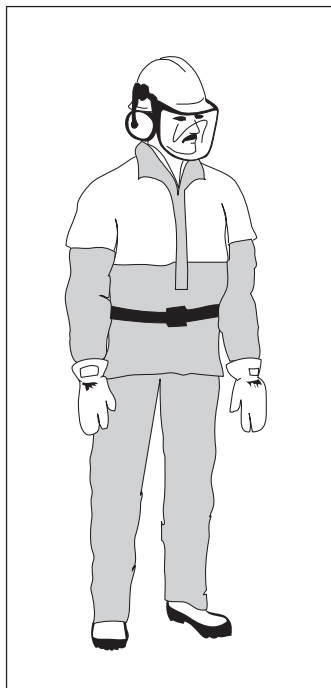


¡ATENCIÓN!
Cuchillas cortantes. No las toque sin haber apagado primero el motor.

¡ATENCIÓN! Lea atentamente el manual de instrucciones antes de utilizar el cortasetos.

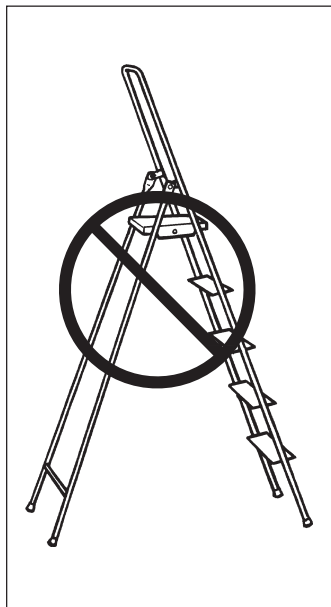
Protección personal

- Utilice siempre botas y además el equipo indicado en la sección "Equipo de protección personal" del manual de instrucciones de la máquina.
- Utilice siempre indumentaria de trabajo y pantalones largos fuertes.
- No utilice nunca ropas amplias ni joyas.
- Las personas que tengan cabellos largos, deben levantarlo como medida de seguridad personal.



Instrucciones de seguridad para el entorno

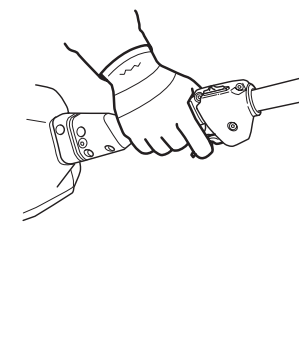
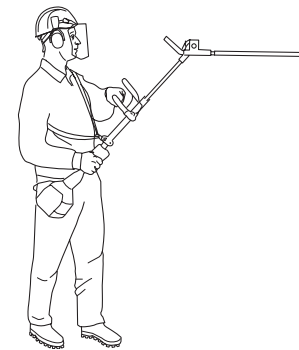
- No permita nunca que los niños utilicen la máquina.
- Controle que nadie se acerque a menos de 15 metros durante el trabajo.
- No permita nunca utilizar la máquina a nadie sin estar seguro que ha comprendido el contenido del manual de instrucciones.
- No trabaje nunca desde una escalera, taburete u otra posición elevada que no tenga un apoyo completamente seguro.



Instrucciones de seguridad durante el trabajo



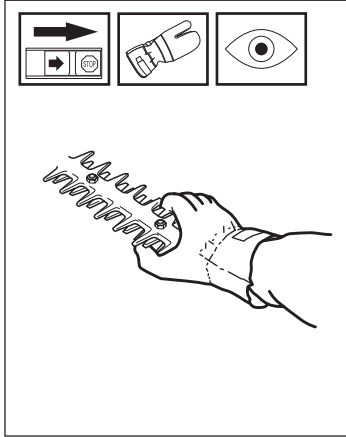
- Debe tener siempre una posición de trabajo segura y firme.
- Utilice la mano derecha para maniobrar el acelerador.
- Utilice siempre las dos manos para sostener la máquina. Mantenga la máquina en el lado derecho de su cuerpo.
- Controle que ni las manos ni los pies entren en contacto con la cuchilla estando el motor en marcha.
- Tenga cuidado con los trozos de rama que pueden salir despedidos durante el corte.
- Siempre apoye el cortasetos en el suelo cuando no lo utilice.
- Al parar el motor, mantenga las manos y los pies alejados de la cuchilla hasta que se haya detenido completamente.
- No corte demasiado cerca del suelo, dado que pueden ser lanzadas piedras y otros objetos.
- Inspeccione la zona a cortar para ver si hay cables de electricidad, insectos o animales, etc. u objetos que puedan dañar el equipo de corte, por ejemplo objetos de metal.
- Si choca con algún objeto o si se producen vibraciones fuertes, pare inmediatamente la máquina. Quite el cable de la bujía. Controle que la máquina no esté dañada. Repare posibles averías.
- Si las cuchillas se atascan en algún objeto durante el corte, apague primero el motor y espere a que las cuchillas se detengan completamente antes de despejar el objeto. Desconecte el cable de encendido de la bujía.



INSTRUCCIONES DE SEGURIDAD

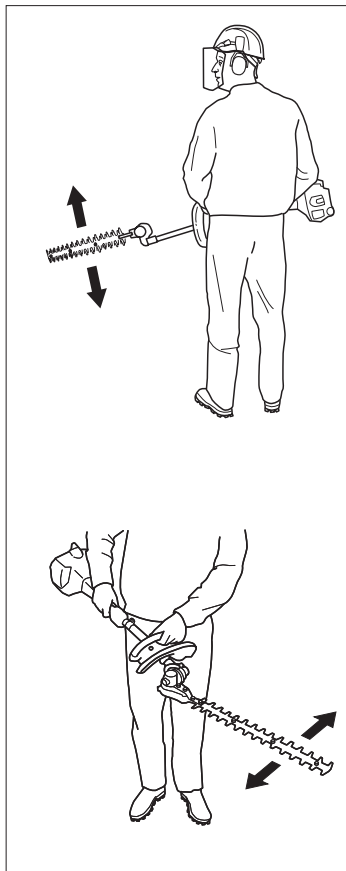
Instrucciones de seguridad después del trabajo

- Coloque siempre la protección de las cuchillas cuando no use la máquina.
- Antes de la limpieza, reparación o inspección, controle que la cuchilla se haya detenido. Quite el cable de la bujía.
- Utilice siempre guantes resistentes al reparar las cuchillas. Las mismas tienen mucho filo y pueden provocar cortes muy fácilmente.
- Mantenga la máquina fuera del alcance de los niños.
- Al reparar utilice solamente repuestos originales.



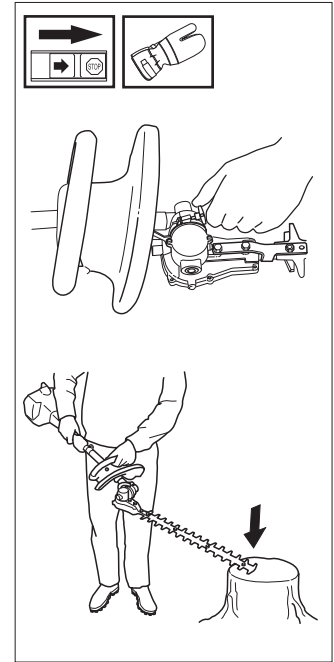
Técnicas de trabajo básicas

- Trabaje con movimientos pendulares de abajo hacia arriba al cortar los costados del seto.
- Adapte la aceleración a la carga.
- Al recortar un seto, el motor siempre debe estar dirigido hacia **afuera** del seto.
- Mantenga el cortasetos lo más cerca posible del cuerpo a fin de lograr el mejor equilibrio posible.
- Asegúrese de que la punta no toque el suelo.
- No trate de forzar el trabajo. Desplácese a una velocidad constante para cortar todos los tallos en forma pareja.



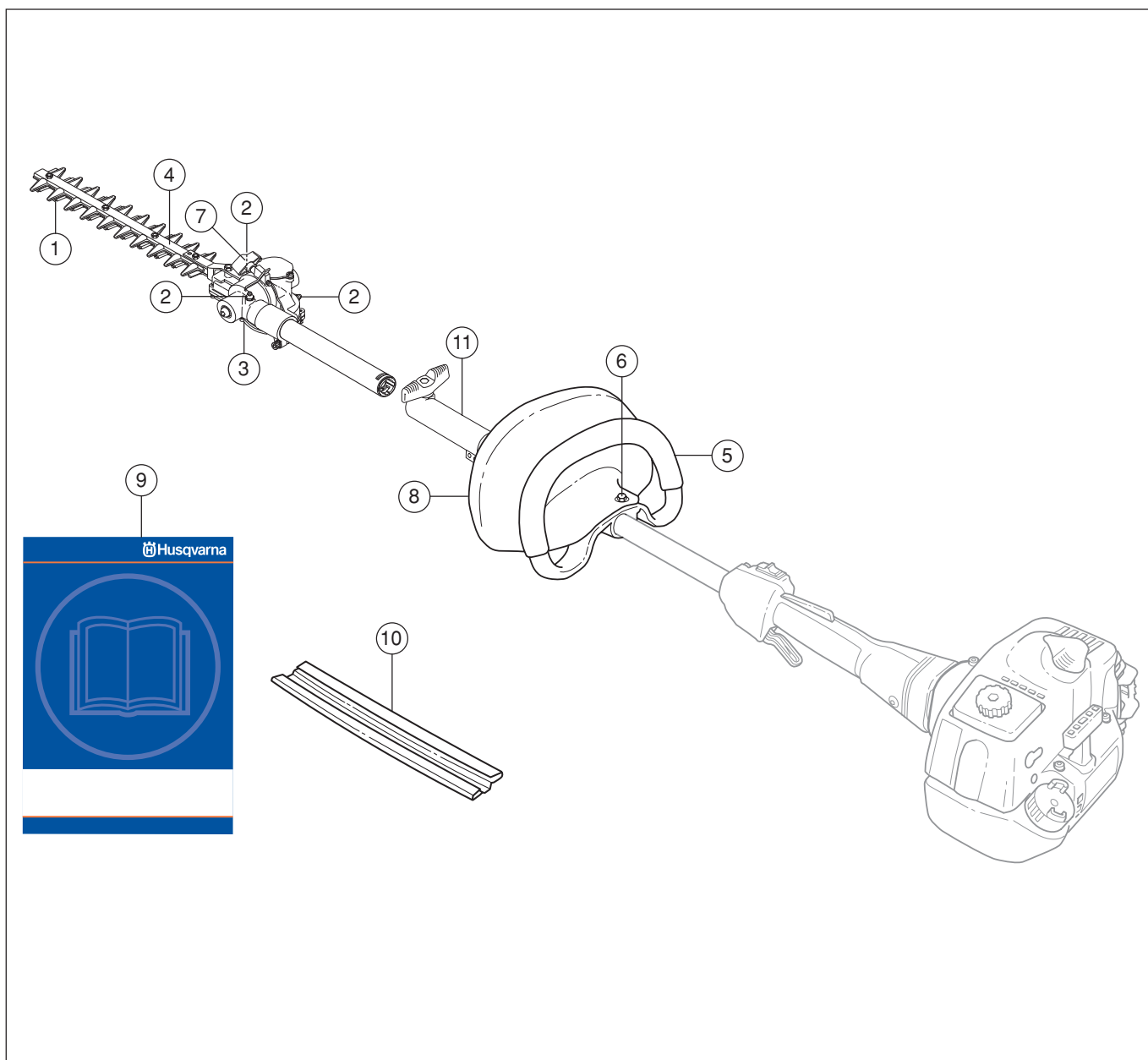
Cambio de ángulo del cortasetos

- Afloje el botón del limitador de ángulo.
- Presione el equipo de corte contra el suelo u otra base firme hasta que se ajuste el ángulo deseado.
- Apriete el botón.



ATENCIÓN: No agarre el equipo de corte cuando va a ajustar el ángulo. Las cuchillas son filosas y pueden provocar cortes.

¿QUÉ ES QUÉ?



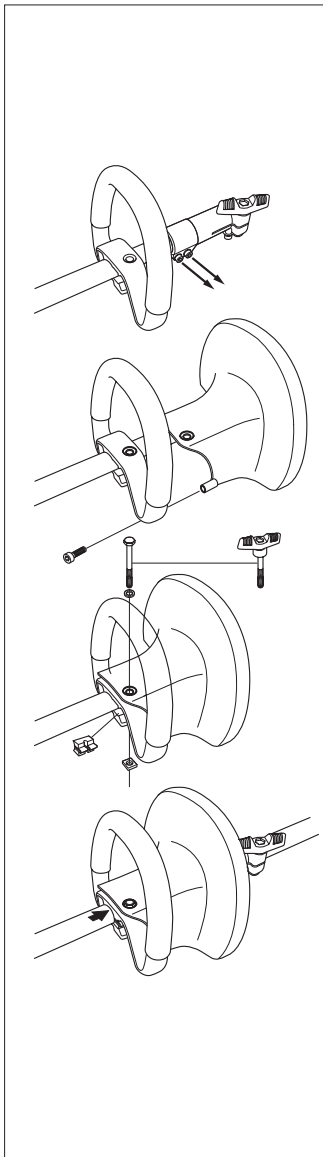
¿Qué es qué en el suplemento para cortar setos?

- | | |
|--|---------------------------------|
| 1. Cuchilla | 7. Botón para ajuste de ángulo |
| 2. Boquillas de engrase (3 unidades) | 8. Protección para la mano |
| 3. Engranaje angulado | 9. Manual de instrucciones |
| 4. Protección de las cuchillas | 10. Protección para transportes |
| 5. Mango delantero | 11. Conexión del tubo |
| 6. Tornillo de sujeción, protección para la mano | |

MONTAJE

Montaje de la protección para la mano y el mango cerrado

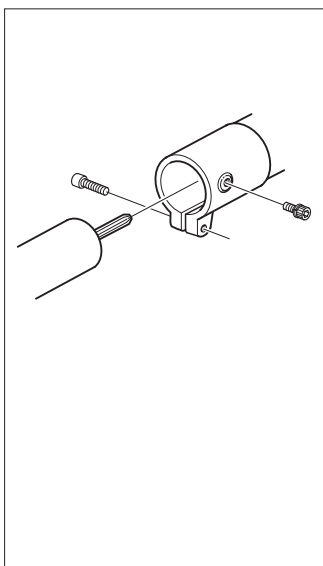
1. Afloje los dos tornillos de sujeción del manguito de acoplamiento y desmonte el manguito.
2. Ensamble la protección para la mano con el mango cerrado y atorníllelos formando una unidad. Preste atención a que coincidan los orificios de ambas partes.
3. Calce el mango cerrado y la protección para la mano en el tubo.
4. Introduzca el distanciador en la ranura del mango cerrado.
5. Monte la tuerca y el tornillo. No los apriete a fondo.
6. A continuación, haga un ajuste exacto para lograr una postura de trabajo cómoda. Apriete el tornillo.
NOTA: El mango cerrado y la protección para la mano no se deben montar más atrás que la marcha de la flecha que hay en el tubo.
7. Monte el manguito de acoplamiento y apriete los dos tornillos de sujeción.



Montaje del equipo de corte

Al montar el equipo de corte, es importante que el cortasetos esté apoyado sobre una base plana. De lo contrario, el equipo de corte puede quedar mal montado.

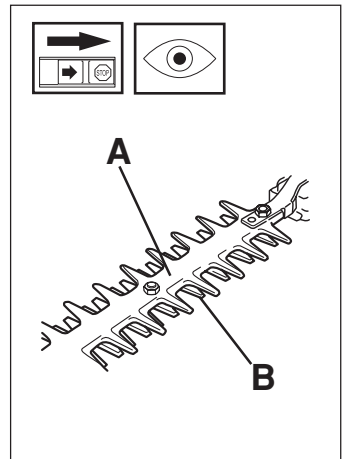
1. Monte el equipo de corte en el tubo.
NOTA: Preste atención a que el eje motriz del tubo quede introducido en la cavidad del equipo de corte.
2. Apriete primero el tornillo inferior y después, el superior.



ARRANQUE Y DETENCIÓN

Control antes de arrancar

- Inspeccione el área de trabajo. Retire objetos que puedan ser lanzados.
- Controle las cuchillas. Nunca utilice cuchillas sin filo, agrietadas o averiadas.
- Controle que el cortasetos esté en excelentes condiciones de funcionamiento. Verifique que todas las tuercas y tornillos estén bien apretados.
- Revise la protección de las cuchillas para ver si está dañado o agrietado.
- Una protección de las cuchillas dañado debe ser cambiado.
- Asegúrese de que la caja de engranajes esté correctamente lubricada. Lea la sección «Lubricación de las cuchillas».
- Verifique que las cuchillas paren siempre que el motor funcione en marcha lenta.
- Utilice la máquina únicamente para lo que ha sido diseñada.



Carburador

Su producto Husqvarna ha sido construido y fabricado conforme a especificaciones que reducen los gases de escape tóxicos. Cuando el motor ha consumido 8-10 depósitos de combustible, el mismo ha sido "rodado". Para asegurarse de que funcione de la mejor manera y despida la menor cantidad posible de gases tóxicos después del período de rodaje, contacte a su representante o servicio oficial, que tiene acceso a un tacómetro, para que regule su carburador, así funciona de manera óptima.



ATENCIÓN:

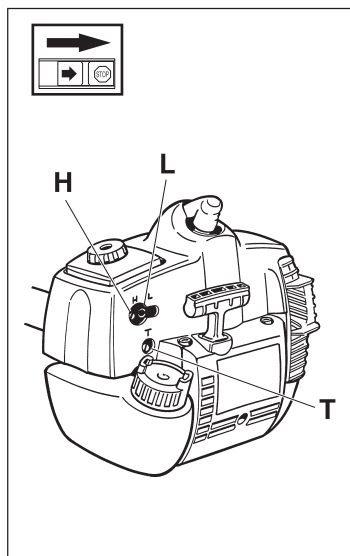
Antes de arrancar la máquina, debe haberse montado primero la cubierta del embrague con el engranaje, de lo contrario el embrague puede zafar y ocasionar daños personales.

Función

- El carburador regula las revoluciones del motor a través del acelerador. En el carburador se mezclan el aire y el combustible, formando una mezcla que debe ser correcta para aprovechar la potencia máxima de la máquina.
- El reglaje del carburador se realiza para adaptar el motor a condiciones particulares como, por ejemplo, clima, altura sobre el nivel del mar, gasolina y tipo de aceite para motores de dos tiempos.

- El carburador tiene tres posibilidades de regulación:

- L = Boquilla para bajas revoluciones
- H = Boquilla para altas revoluciones
- T = Tornillo de ajuste para ralentí



- Con las boquillas L y H se regula la cantidad de combustible deseado para el caudal de aire producido por la abertura del acelerador. Al girarlos en el sentido de las agujas del reloj, la mezcla aire-combustible se empobrece (menos combustible), y al girarlos en sentido contrario a las agujas del reloj, la mezcla se enriquece (más combustible). Una mezcla pobre hace trabajar al motor a más rpm y una mezcla rica, a menos rpm.
- El tornillo T regula la posición del acelerador para el funcionamiento en ralentí. Al girarlo en el sentido de las agujas del reloj, las rpm en ralentí aumentan y al girarlo en sentido contrario a las agujas del reloj, las rpm en ralentí se reducen.

Regulación de fábrica

- El carburador se regula en fábrica al probarlo. Esta regulación produce una mezcla más rica que la óptima y se debe mantener durante las primeras horas de uso de la máquina. Posteriormente, se debe realizar el reglaje final. Éste debe ser realizado por un técnico especializado.

Importante: Si el equipo de corte gira en ralentí, debe girarse el tornillo T en sentido contrario a las agujas del reloj hasta que el equipo de corte quede inmóvil.

Régimen recomendado en ralentí: 2 700 rpm.

Aceleración máxima recomendada (sin carga): véase "Datos técnicos"



ADVERTENCIA

Si no puede regular la marcha en ralentí para que el equipo de corte deje de girar, debe dirigirse a un servicio oficial. No utilice la máquina hasta que no esté correctamente reparada o regulada.

Reglaje de precisión

- Una vez que la máquina fue "rodada", es necesario regular el carburador en forma precisa. **Este ajuste debe ser realizado por un técnico cualificado.** Ajuste primero la aguja de bajas revoluciones L, después del tornillo de ralentí T y, finalmente, la aguja de altas revoluciones H.

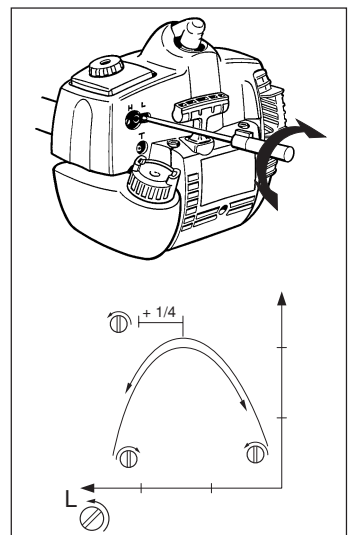
Requisitos

- Antes de hacer un ajuste, controle que el filtro de aire esté limpio y que tenga colocada la tapa. Si se regula el carburador con un filtro sucio, se obtiene una mezcla más pobre después de limpiar el filtro. Esto puede ocasionar serios fallos del motor.
 - Gire cuidadosamente las agujas L y H hasta el punto central entre las posiciones de totalmente atornillada y totalmente desatornillada.
 - **No trate de ajustar las agujas más allá del tope, porque esto puede causar daños.**
 - Ahora, arranque la máquina según las instrucciones y hágala funcionar durante 10 minutos.
- Importante:** Si el equipo de corte gira, debe girarse el tornillo T en sentido contrario a las agujas del reloj, hasta que el equipo de corte se detenga.

Aguja de bajas revoluciones L

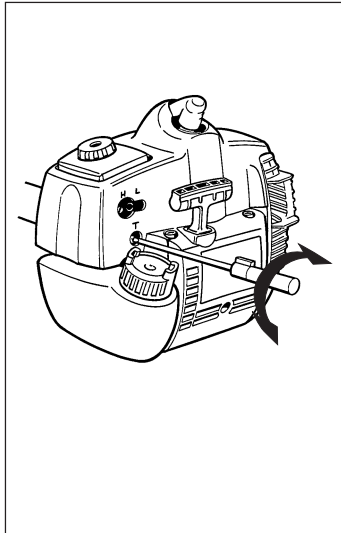
Trate de encontrar el máximo régimen de ralentí girando la aguja de bajas revoluciones L en el sentido de las agujas del reloj o en el sentido contrario. Una vez obtenido el régimen máximo, girar la aguja de bajas revoluciones L un cuarto de vuelta en el sentido contrario a las agujas del reloj.

Importante: Si las cuchillas se mueven en ralentí, debe girarse el tornillo T a izquierdas hasta que se detengan.



Reglaje definitivo del régimen de ralentí T

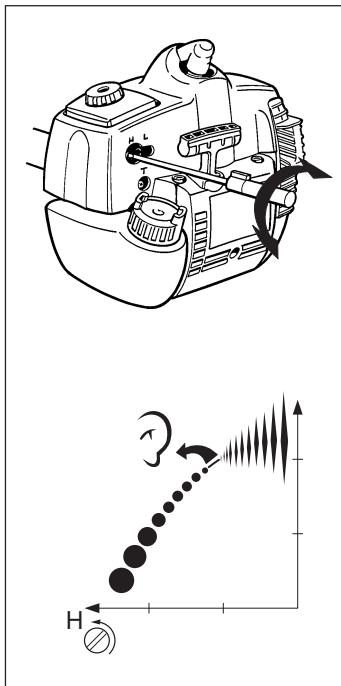
Regule el régimen de ralentí con el tornillo L, si es necesario un reajuste. Gire primero el tornillo de ralentí T en el sentido de las agujas del reloj, hasta que comience a girar el equipo de corte. Después gire el tornillo en el sentido contrario, hasta que el equipo de corte se detenga. El régimen de ralentí es correcto cuando el motor funciona en forma uniforme en cada posición. También debe existir un buen margen hasta el régimen en que empieza a girar el equipo de corte.



ADVERTENCIA: Póngase en contacto con su representante o servicio oficial si no puede ajustar la el reglaje de ralentí para que el equipo de corte deje de girar. No utilice la máquina antes de que sea regulada o reparada correctamente.

Boquilla H para altas revoluciones

La boquilla H para altas revoluciones regula la potencia, el número de revoluciones, la temperatura y el consumo de combustible del motor. Una ajuste muy pobre de la boquilla H (muy atornillada) hacer trabajar régimen muy alto y lo daña. Nunca haga funcionar al motor a máxima velocidad durante más de 10 minutos. Acelere a fondo y gire la boquilla H muy despacio en el sentido de las agujas del reloj, hasta reducir la velocidad del motor. Después, gírela muy despacio en el sentido contrario, hasta que el motor funcione en forma irregular. Por último, gire lentamente la boquilla H en el sentido de las agujas del reloj, un poco hasta que el motor funcione en formar regular.



Durante el ajuste de la boquilla para altas revoluciones, el motor debe estar sin carga. Por eso, desmonte antes el equipo de corte, la tuerca, la brida de apoyo y la pieza de arrastre. La boquilla H está bien ajustada cuando la máquina "galopa" un poco en cuatro tiempos. Si el motor se embala, el ajuste es muy pobre. Si el motor se sacude violentamente y, al mismo tiempo, "galopa" mucho en cuatro tiempos, el ajuste es muy rico.

IMPORTANTE: Si desea un reglaje óptimo del carburador, debe dirigirse a un representante o servicio oficial cualificado, que tenga acceso a un tacómetro.

Reglaje correcto del carburador

El carburador está correctamente regulado cuando la máquina acelera sin dificultad y cuando "galopa en cuatro tiempos" un poco a velocidad máxima. Además, el equipo de corte no debe girar durante la marcha en ralentí. Una aguja de bajas revoluciones L ajustada muy pobremente puede ocasionar problemas en el arranque y mala aceleración.

Una aguja de altas revoluciones H ajustada muy pobremente significa menos fuerza, esto es menos capacidad, mala aceleración y/o daños del motor.

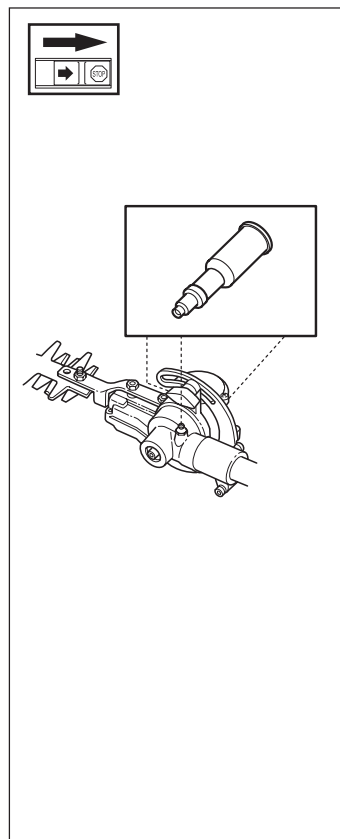
Un reglaje muy rico de las dos agujas L y H significa problemas de aceleración o un régimen de trabajo muy bajo.

Caja de engranajes

En la caja de engranajes hay tres boquillas de engrase (A). En la caja de engranajes hay una boquilla de engrase (A). Utilice una pistola de engrase para rellenar grasa. Este procedimiento debe repetirse cada 20 horas de trabajo aproximadamente. Utilice grasa especial de Husqvarna, nº 503 98 96-01.

No llene el engranaje totalmente con grasa. El calor que se produce al hacer funcionar la máquina hace que la grasa se expanda. Una cantidad excesiva de grasa en los engranajes puede dañar las juntas y ocasionar fugas de grasa.

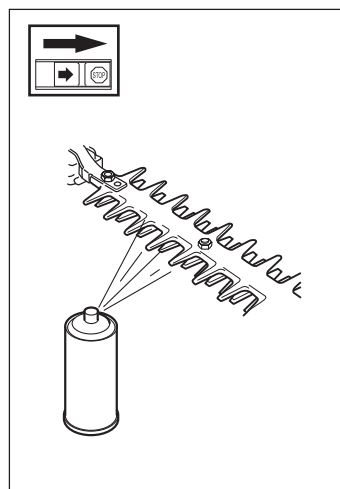
El lubricante en la caja de engranajes normalmente no requiere ser cambiado salvo durante una reparación.



Limpieza y lubricación

Limpie los restos de resina y savia de las cuchillas con detergente 531 00 60-75 (UL22) después de cada uso.

Antes del uso, lubrique las hojas de la cuchilla con lubricante especial 531 00 60-74 (UL 21).

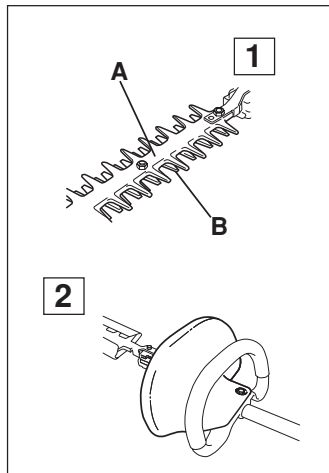


Plan de Mantenimiento

A continuación siguen algunas instrucciones de mantenimiento.
Si necesita mayor información contacte con el servicio oficial.

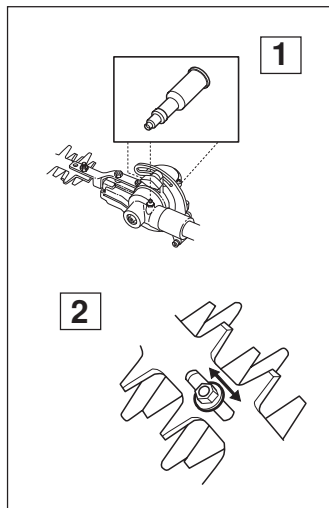
Control diario

1. Controle que las cuchillas no se muevan en ralentí o cuando el estrangulador está en posición de aceleración de arranque.
2. Controle que la protección para la mano no esté averiada. Reemplace una protección averiada.



Control semanal

1. Rellene grasa en la caja de engranajes. Repetir este procedimiento cada 20 horas de trabajo aproximadamente.
2. Controle que estén apretados los tornillos que sostienen juntas las cuchillas.



Datos técnicos

Peso

Peso sin combustible, kg 2,0

Cuchillas

Longitud, mm 550

Velocidad de cuchilla, corte/min 4184

114 00 26-20



Free Manuals Download Website

<http://myh66.com>

<http://usermanuals.us>

<http://www.somanuals.com>

<http://www.4manuals.cc>

<http://www.manual-lib.com>

<http://www.404manual.com>

<http://www.luxmanual.com>

<http://aubethermostatmanual.com>

Golf course search by state

<http://golfingnear.com>

Email search by domain

<http://emailbydomain.com>

Auto manuals search

<http://auto.somanuals.com>

TV manuals search

<http://tv.somanuals.com>